
































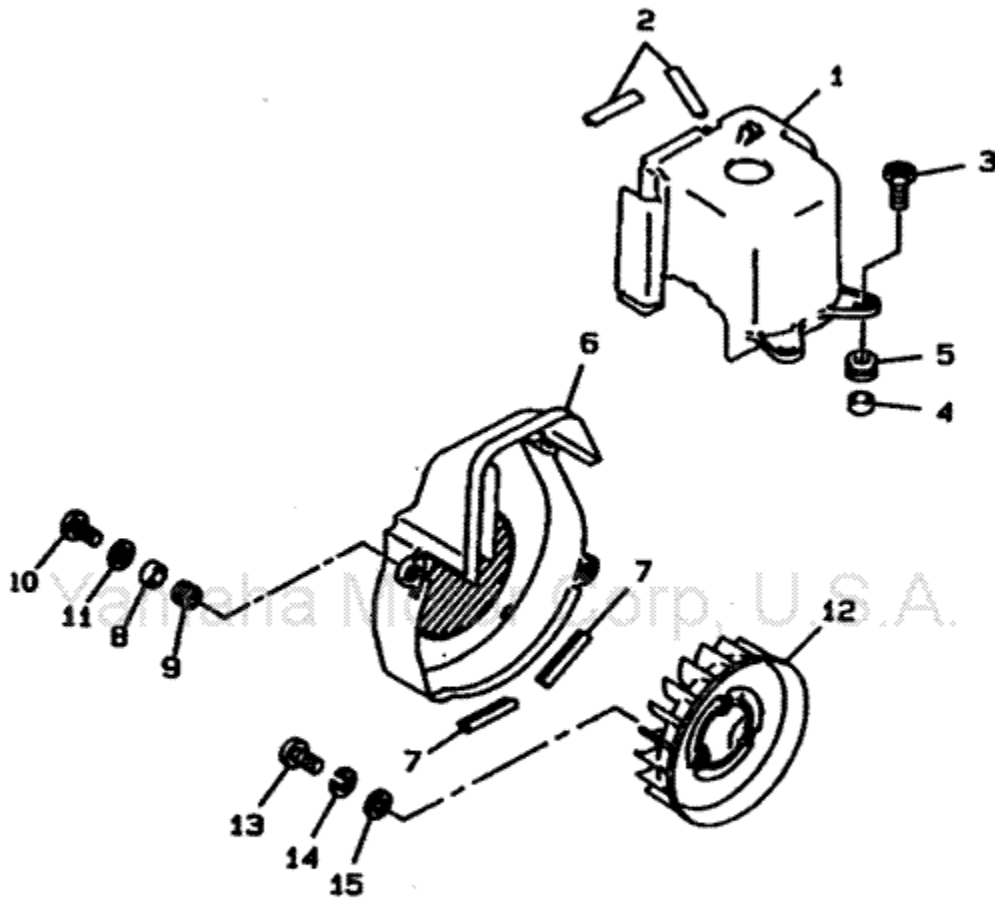
 **ZUMA II - CW50TJ - 1997**

-  AIR SHROUD FAN
-  CARBURETOR
-  CLUTCH
-  COWLING 1
-  CRANKCASE
-  CRANKSHAFT PISTON
-  CYLINDER
-  ELECTRICAL 1
-  ELECTRICAL 2
-  EXHAUST
-  FENDER
-  FLASHER LIGHT
-  FRAME
-  FRONT FORK
-  FRONT WHEEL
-  FUEL TANK
-  GENERATOR
-  HANDLE SWITCH LEVER
-  HEADLIGHT
-  INTAKE
-  LEG SHIELD
-  METER
-  OIL PUMP
-  OIL TANK
-  REAR SUSPENSION
-  REAR WHEEL
-  SEAT CARRIER
-  SIDE COVER
-  STAND FOOTREST
-  STARTER
-  STEERING HANDLE CABLE
-  TAILLIGHT
-  TRANSMISSION

<http://www.yamaha-motor.com/sport/parts/home.aspx>

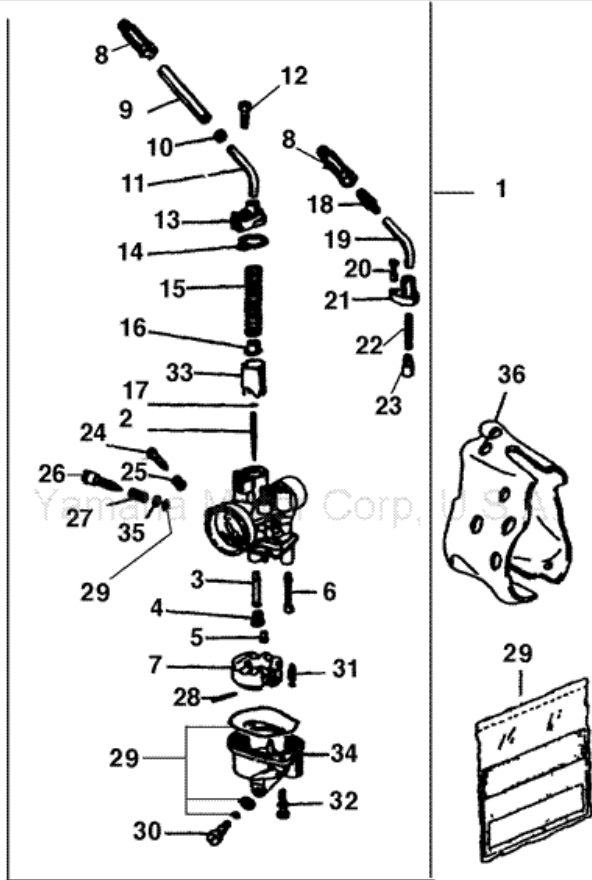


IAA010-8030

(c) 2005-2009 Yamaha Motor Corporation, U.S.A.

1	3VL-E2651-00-00	AIR SHROUD, CYLINDER	1
2	3VL-E2658-00-00	DAMPER, AIR SHROUD 1	4
3	90153-06022-00	SCREW, HEXAGON	2
4	90387-06023-00	COLLAR	2
5	90480-12237-00	GROMMET	5
6	3VL-E2653-00-00	AIR SHROUD, CYLINDER	1
7	3VL-E2658-00-00	DAMPER, AIR SHROUD 1	4
8	90387-067T6-00	COLLAR	3
9	90480-12237-00	GROMMET	5
10	98517-06020-00	SCREW, PAN HEAD	3
11	92907-06600-00	WASHER, PLATE	3
12	3VL-E2611-00-00	FAN	1
13	98580-06016-00	SCREW, PAN HEAD	3
14	92995-06100-00	WASHER, SPRING	3
15	92990-06600-00	WASHER, PLATE	3

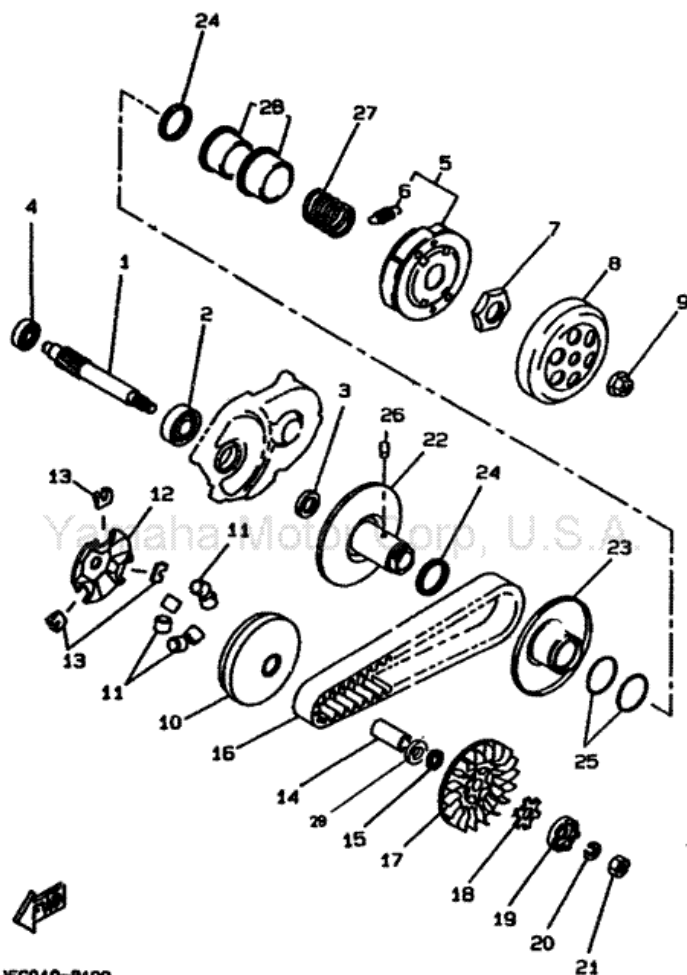
CARBURETOR



(c) 2005-2009 Yamaha Motor Corporation, U.S.A.

Item	Part #	Description	Notes	Req		
1	4SB-E4301-01-00	CARBURETOR ASSY 1			DELLORTO	1
2	4SB-E4336-00-00	NEEDLE		1		
3	4SB-E4341-00-00	NOZZLE, MAIN			1	
4	4SB-E4343-00-00	JET, MAIN			1	
5	4SB-E4342-00-00	JET, PILOT			1	
6	4SB-E4344-01-00	JET, STARTER			1	
7	4SB-E4385-00-00	FLOAT		1		
8	4SB-F6329-00-00	CAP, RUBBER			2	
9	4SB-E4161-00-00	NUT, CABLE ADJUSTING			1	
10	4SB-E4358-00-00	NUT		1		
11	4SB-E4148-01-00	PIPE		1		
12	4SB-E4325-00-00	SCREW, PAN HEAD			1	
13	4SB-E4369-00-00	DIAPHRAGM ASSEMBLY 2			1	
15	4SB-E4331-02-00	SPRING, THROTTLE VALVE			1	
16	4SB-E4377-00-00	STOPPER		1		
17	4SB-E4137-00-00	CLIP		1		
18	4SB-E4124-00-00	SCREW, CABLE ADJUSTING			1	
19	4SB-E4318-00-00	PIPE STARTER			1	
20	4SB-E4216-00-00	SCREW		1		
21	4SB-E4368-01-00	DIAPHRAGM ASSY 1			1	
22	4SB-E4335-00-00	SPRING, PLUNGER			1	
23	4SB-E4371-00-00	PLUNGER, STARTER			1	
24	4SB-E4104-00-00	AIR SCREW SET			1	
25	4SB-E4134-00-00	SPRING, AIR ADJUSTING			1	
26	4SB-E4103-01-00	THROTTLE SCREW			1	
27	4SB-E4133-01-00	SPRING, THROTTLE STOP			1	
28	4SB-E4386-00-00	PIN, FLOAT			1	
29	4SB-W0001-00-00	GASKET KIT			1	
30	4SB-E4115-00-00	PLUG, SCREW			1	
31	4SB-E4392-00-00	VALVE, NEEDLE			1	
32	4SB-E4216-10-00	SCREW		1		
33	4SB-E4312-02-00	VALVE, THROTTLE 1			1	
34	4SB-E4381-00-00	BODY, FLOAT CHAMBER			1	
35	4SB-E4357-00-00	WASHER, PLAIN			1	
36	4SB-E4283-01-00	COVER, CARBURETOR 1			2	

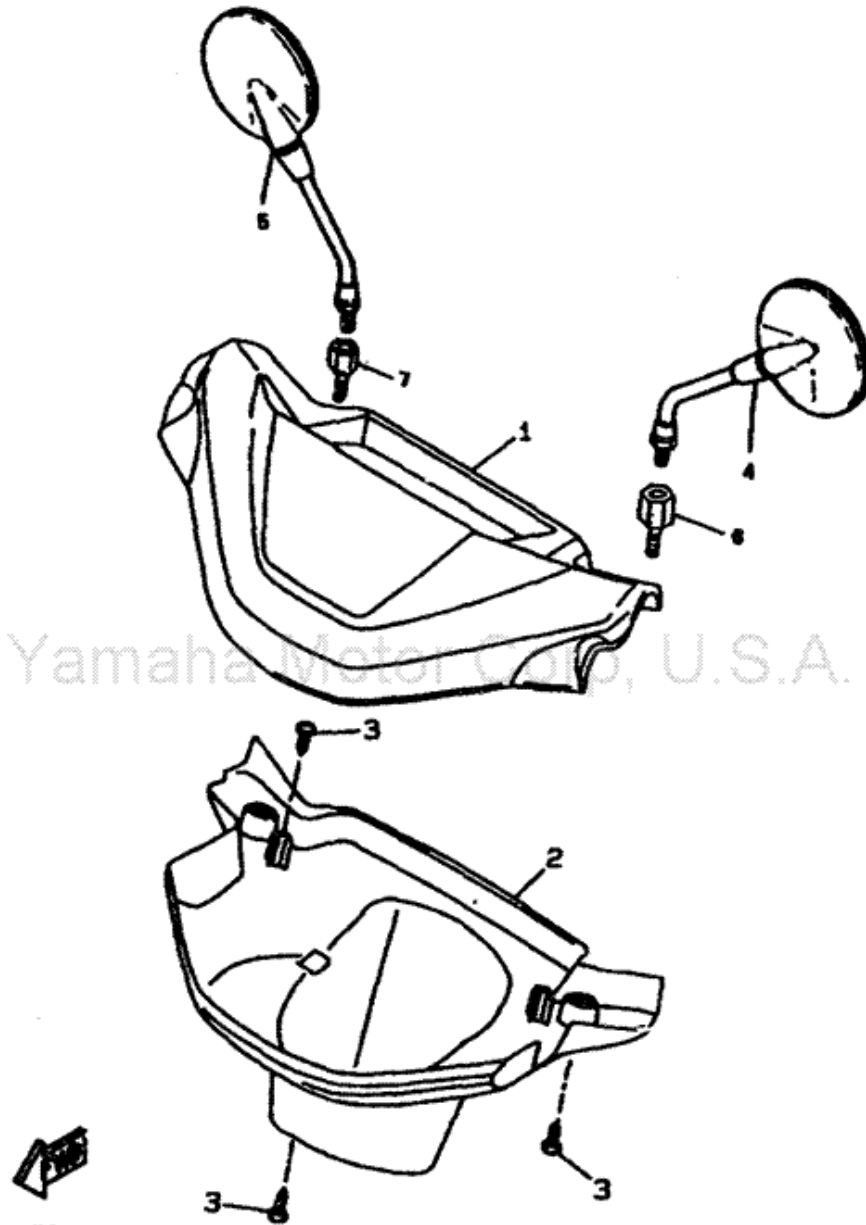
CLUTCH



FC010-8100

(c) 2005-2009 Yamaha Motor Corporation, U.S.A.

1	3VL-E6111-00-00	GEAR, PRIMARY DRIVE	1
2	93306-20301-00	BEARING	1
3	93102-17342-00	OIL SEAL	1
4	93306-20006-00	BEARING	1
5	3VL-E6620-02-00	CLUTCH CARRIER ASSEMBLY	1
6	3VL-E6626-00-00	SPRING, CLUTCH WEIGHT 1	2
7	90179-28415-00	NUT	1
8	24G-16611-03-00	CLUTCH HOUSING COMP.	2
9	90179-10609-00	NUT	1
10	4CU-E7620-00-00	PRIMARY SLIDING SHEAVE COMP.	1
11	4KH-E7632-00-00	WEIGHT	6
12	3VL-E7623-00-00	CAM	1
13	3VL-E7653-00-00	SLIDER	3
14	90387-135U9-00	COLLAR	1
15	90201-133M8-00	WASHER, PLATE	1
16	3AA-17641-00-00	V-BELT	1
17	3VL-E7611-00-00	SHEAVE, PRIMARY FIXED	1
18	90214-13055-00	WASHER, CLAW	1
19	3VL-E5657-00-00	CLUTCH, ONE WAY	1
20	90208-10012-00	WASHER, CONICAL SPRING	1
21	90170-10219-00	NUT	1
22	3GF-17660-02-00	SECOND, FIX SHEAVE	1
23	3WG-17608-00-00	SECONDARY SLIDING SHEAVE	1
24	93109-33052-00	OIL SEAL	2
25	93210-38687-00	O-RING	2
26	24G-17664-00-00	PIN, GUIDE	2
27	90501-351F6-00	SPRING, COMPRESSION	1
28	3VL-E7604-00-00	SEAT SPRING SET	1
29	4SB-E7654-00-00	SPACER 1	1

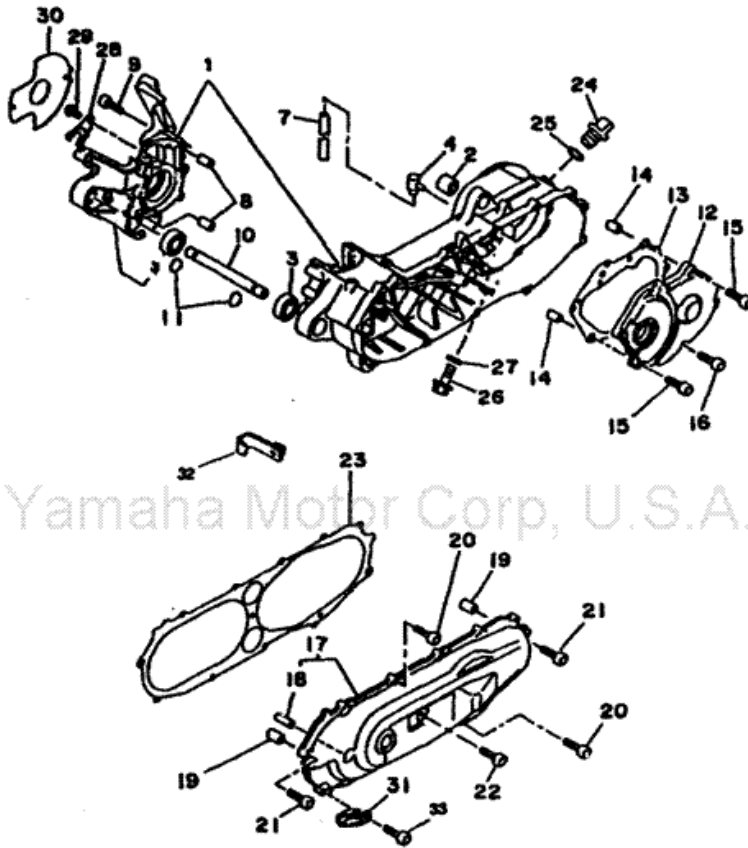


VLJ381-0250

(c) 2005-2009 Yamaha Motor Corporation, U.S.A.

1	3VL-F6213-40-00	COVER, UPPER	1	
2	3VL-F6215-11-00	COVER, LOWER	1	
3	97707-50016-00	SCREW, TRUSS HEAD TAPPING		2
4	3VL-F6280-00-00	MIRROR (LEFT)	1	
5	9079Q-71878-00	MIRROR (RIGHT)	1	
6	3VL-F629N-00-00	BRACKET MIRROR 1	1	1
7	3MX-2118K-00-00	LABEL, CAUTION	1	
	3VL-F629R-00-00	BRACKET MIRROR 2	1	
	4CU-F1568-10-00	LABEL, WARNING	1	

CRANKCASE

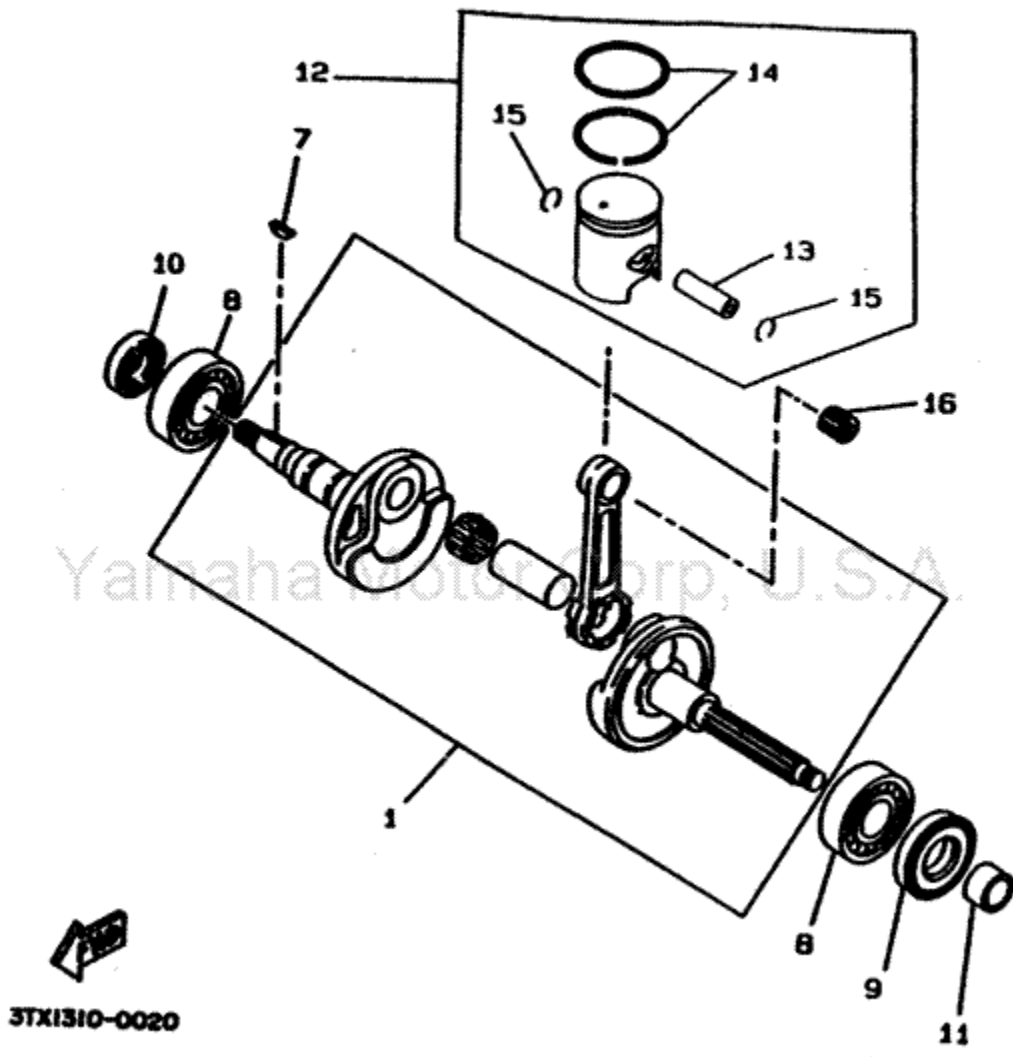


MX110-0080

(c) 2005-2009 Yamaha Motor Corporation, U.S.A.

1	3VL-E5150-00-00	CRANKCASE ASSY	1	
2	164-22216-00-00	BUSH, REAR SHOCK ABSORBER		1
3	93306-00203-00	BEARING	2	
4	3VL-E5371-00-00	BREATHER	1	
7	90446-13311-00	HOSE	1	
8	99510-12016-00	PIN, DOWEL	2	
9	90110-06237-00	BOLT, HEXAGON SOCKET HEAD		1
10	3VL-E5317-00-00	SPACER, ENGINE MOUNT	1	
11	93440-15012-00	CIRCLIP	2	
12	3VL-E5421-00-00	COVER, CRANKCASE 2	1	
13	3VL-E5461-00-00	GASKET, CRANKCASE COVER		1
14	99530-10014-00	PIN, DOWEL	4	
15	90110-06237-00	BOLT, HEXAGON SOCKET HEAD		2
16	91317-06020-00	BOLT	4	
17	3VL-E5411-00-00	COVER, CRANKCASE 1	1	
18	3VL-E5659-00-00	SHAFT	1	
19	99530-10014-00	PIN, DOWEL	2	
20	90110-06240-00	BOLT, HEXAGON SOCKET HEAD		8
21	90110-06237-00	BOLT, HEXAGON SOCKET HEAD		2
22	91317-06045-00	BOLT	1	
23	3VL-E5451-00-00	GASKET, CRANKCASE COVER		1
24	3VL-E5363-00-00	PLUG, OIL	1	
25	93210-14104-00	O-RING	1	
26	95817-08016-00	BOLT, FLANGE	1	
27	90430-08206-00	GASKET	1	
28	3VL-E5128-00-00	HOLDER	1	
29	98517-06012-00	SCREW, WITH WASHER	1	
30	3VL-E5462-00-00	GASKET, CRANKCASE COVER		1
31	90465-08122-00	CLAMP	1	
32	4SB-F1238-00-00	BRACKET	1	
33	90110-06825-00	BOLT, HEXAGON SOCKET HEAD		1

CRANKSHAFT PISTON

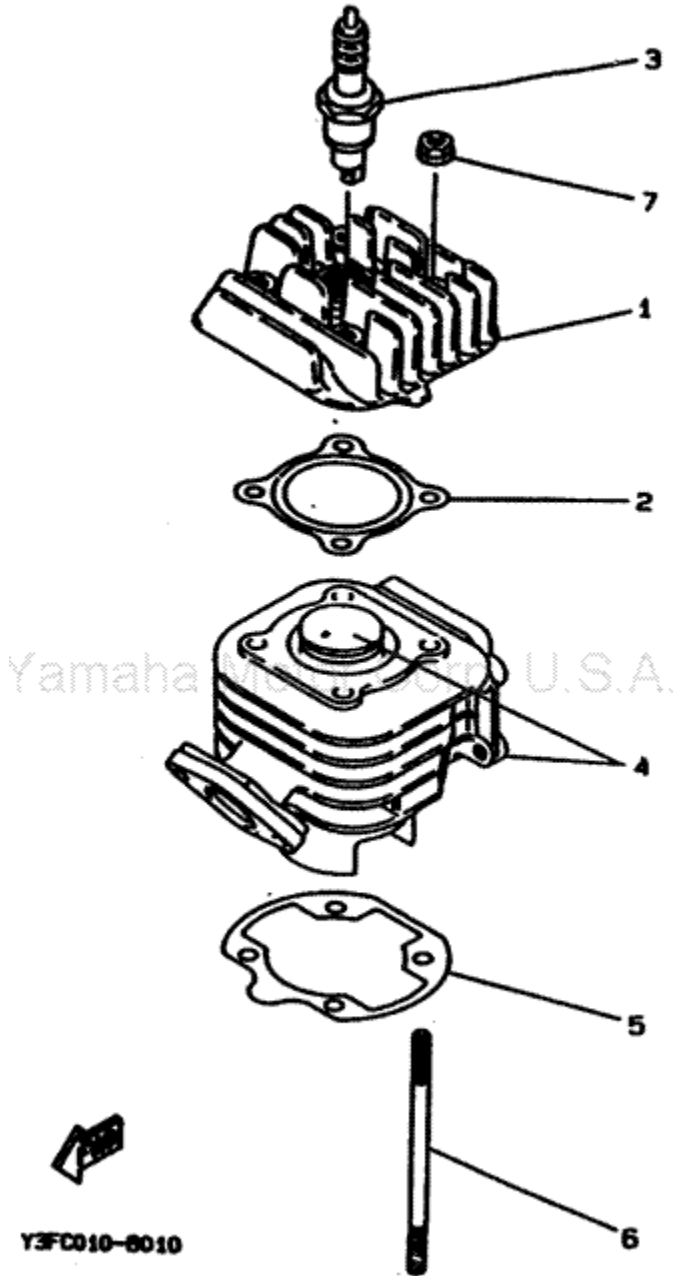


3TX1310-0020

(c) 2005-2009 Yamaha Motor Corporation, U.S.A.

Item	Part #	Description	Notes	Req
1	3VL-E1400-10-00	CRANKSHAFT ASSY		1
7	90280-03017-00	KEY, WOODRUFF		1
8	93306-20468-00	BEARING		2
9	93102-20371-00	OIL SEAL		1
10	93101-20138-00	OIL SEAL		1
11	90387-156U0-00	COLLAR		1
12	4SB-E1631-00-00	PISTON (STD)		1
4SB-E1636-00-00	PISTON (0.5MM O/S)			1
13	3VL-E1633-00-00	PIN, PISTON		1
14	4SB-E1603-00-00	PISTON RING SET (STD)		1
4SB-E1605-00-00	PISTON RING SET (0.5MMO/S)			1
15	93450-11120-00	CIRCLIP		2
16	93310-210M0-00	BEARING		1

CYLINDER

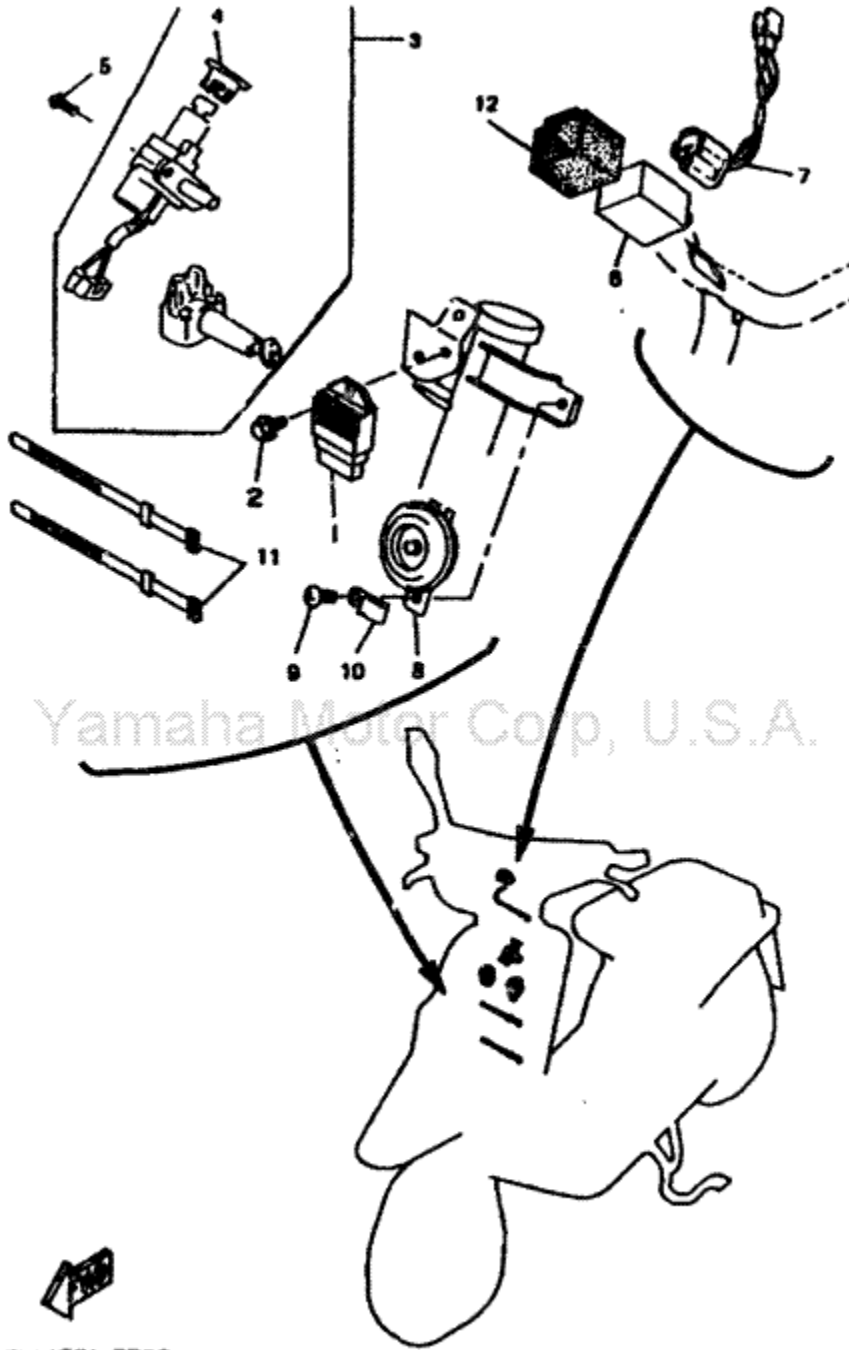


Y3FC010-0010

(c) 2005-2009 Yamaha Motor Corporation, U.S.A.

Item	Part #	Description	Notes	Req	
1	4SB-E1111-00-00	HEAD, CYLINDER 1		1	
2	3VL-E1181-00-00	GASKET, CYLINDER HEAD		1	
3	NGK-BR8HS-00-00	PLUG, SPARK (NGK BR8HS)	NGK BR8HS	1	1
4	93450-11120-00	CIRCLIP		2	
4SB-E1311-00-00		CYLINDER 1		1	
4SB-E1603-00-00		PISTON RING SET (STD)		1	
4SB-E1631-00-00		PISTON (STD)		1	
5	3VL-E1351-00-00	GASKET, CYLINDER		1	1
6	90116-06418-00	BOLT, STUD		4	
7	95707-06500-00	NUT, FLANGE		4	

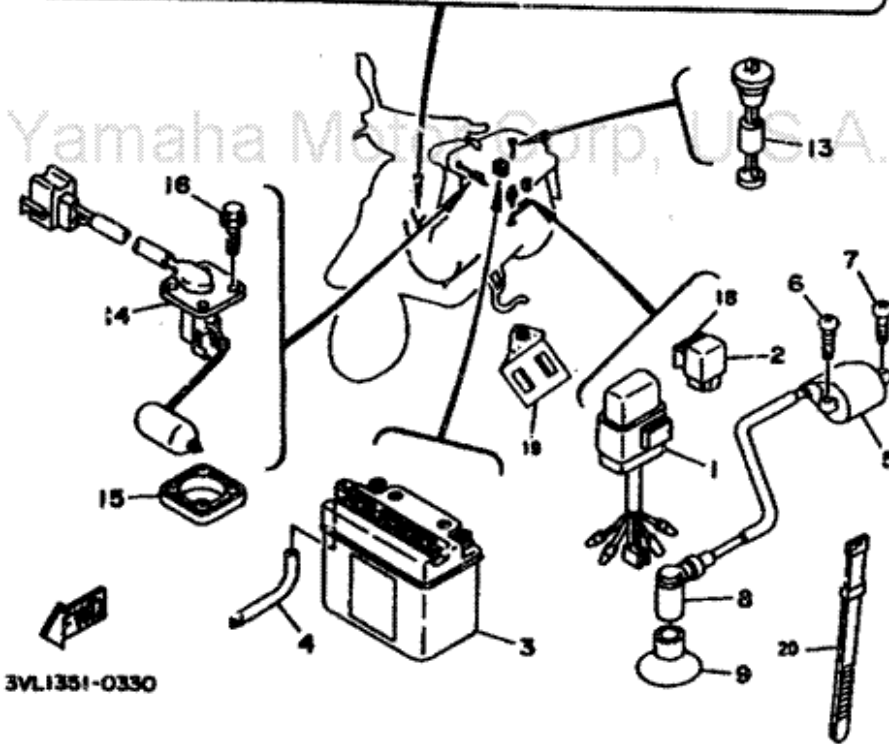
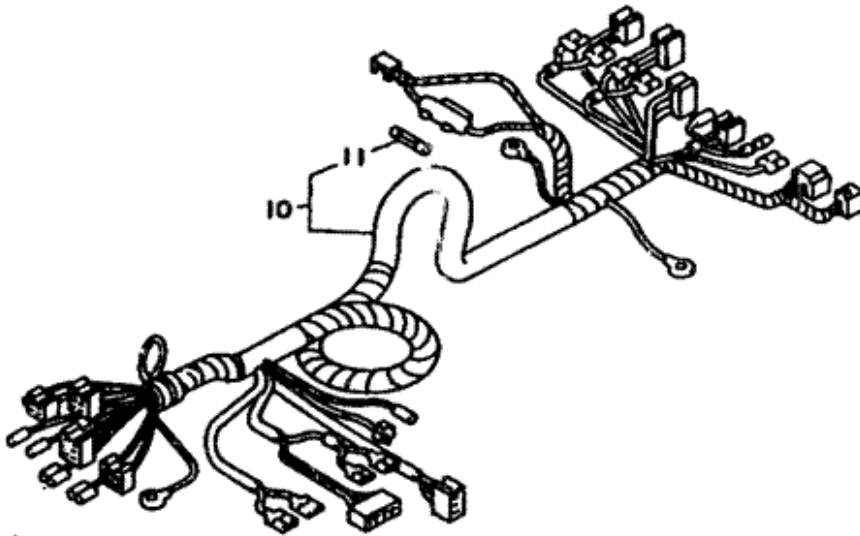
ELECTRICAL 1



3VL1351-0320

(c) 2005-2009 Yamaha Motor Corporation, U.S.A.

Item	Part #	Description	Notes	Req	
1	4VV-H1960-00-00	RECTIFIER & REGULATOR ASSY			1
2	95027-06016-00	BOLT, FLANGE		1	
3	4VV-H2021-01-00	KEY SET		1	
4	4VV-H2532-00-00	CAP		1	
5	90109-06851-00	BOLT		2	
6	3VL-H3350-00-00	FLASHER RELAY ASSY			1
7	4CA-H2509-00-00	WIRE, SUB LEAD		1	
8	4CU-H3371-00-00	HORN		1	
9	98507-06010-00	SCREW, PAN HEAD		1	
10	90465-18147-00	CLAMP		1	
11	4KH-H3936-00-00	BAND, SWITCH CORD			5
12	3VL-H5546-00-00	BAND		1	

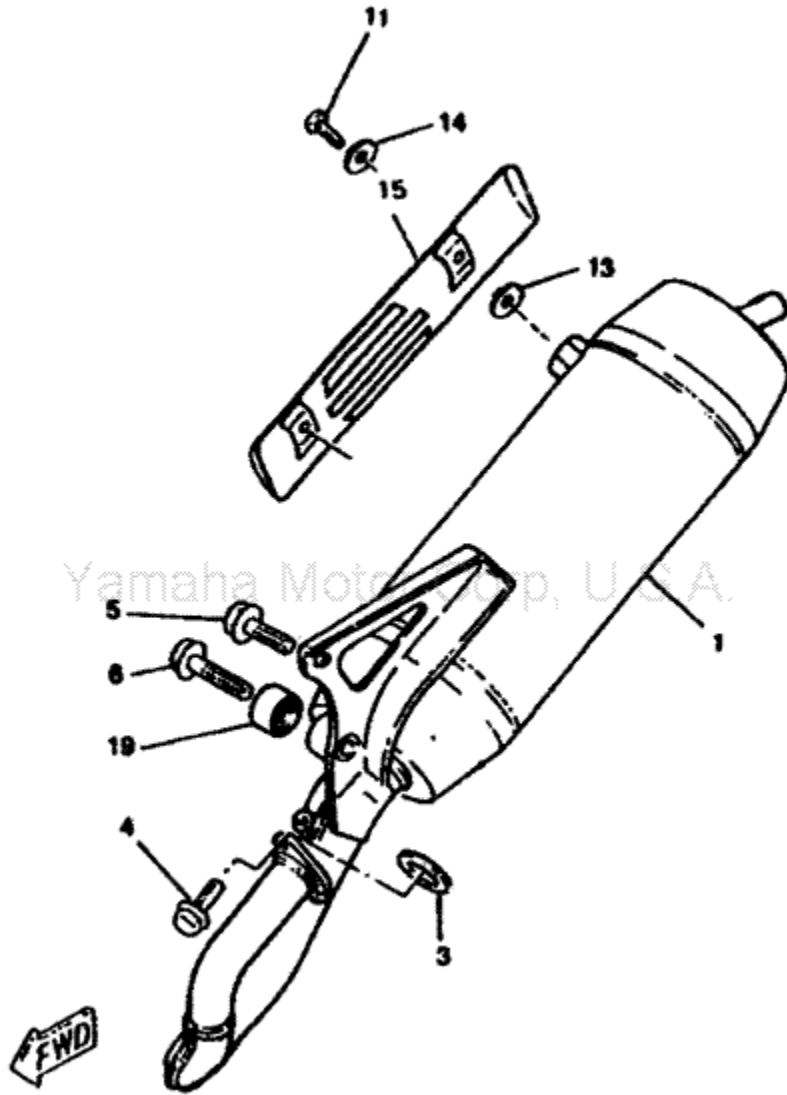


3VL1351-0330

(c) 2005-2009 Yamaha Motor Corporation, U.S.A.

Item	Part #	Description	Notes	Req
1	3KJ-85540-10-00	C.D.I. UNIT ASSY		1
2	29U-81950-93-00	RELAY ASSY		1
3	4CU-H2110-00-00	BATTERY ASSEMBLY		1
4	90445-083F2-00	HOSE (L620)		1
5	3KJ-82310-01-00	IGNITION COIL ASSY		1
6	90149-06262-00	SCREW	1	
7	97707-60525-00	SCREW, TAPPING		1
8	3WG-H2370-10-00	PLUG CAP ASSY		1
9	3WG-H2372-00-00	SEAL, PLUG CAP		1
10	4UY-82590-00-00	WIRE HARNESS ASSY		1
11	27V-82151-00-00	FUSE	1	
13	3VL-H5720-10-00	OIL LEVEL GAUGE ASSY		1
14	3VL-85752-00-00	SENDER UNIT ASSY		1
15	5G3-85753-00-00	GASKET, SENDER UNIT		1
16	90119-05071-00	BOLT, WITH WASHER		4
19	3WW-H553A-00-00	STAY UNIT		1
20	4KH-H3936-00-00	BAND, SWITCH CORD		5

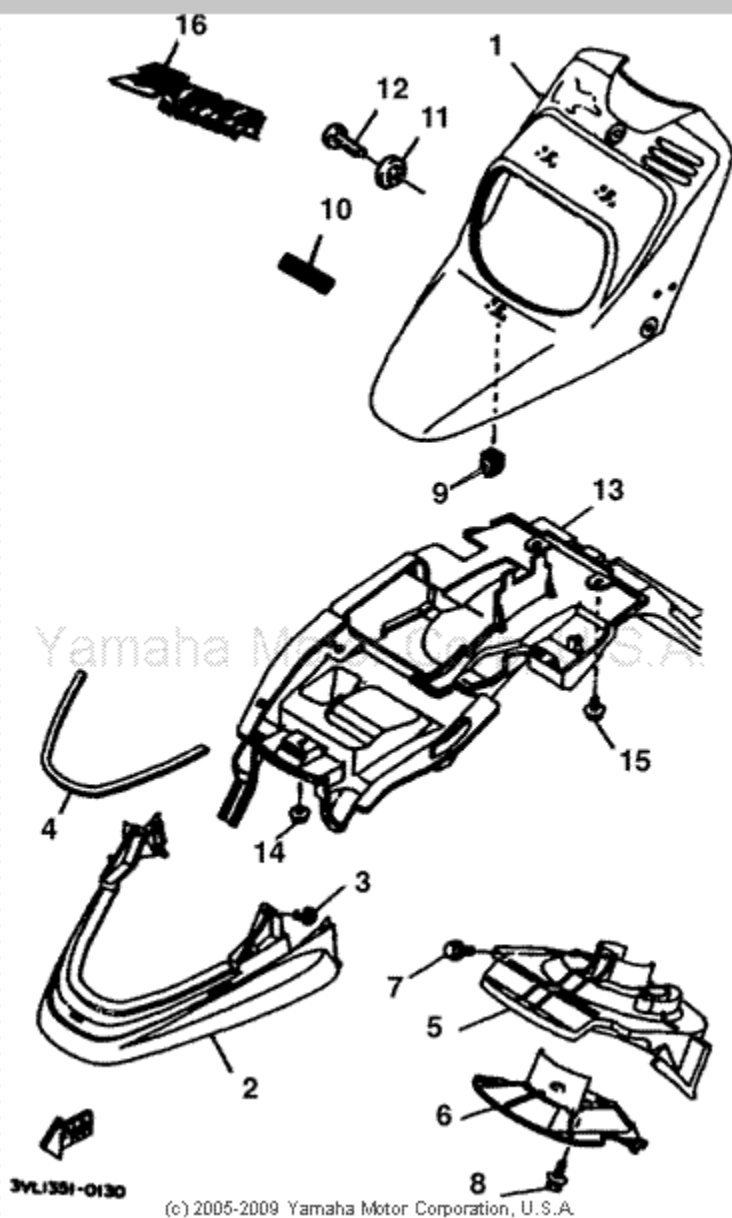
EXHAUST



(c) 2005-2009 Yamaha Motor Corporation, U.S.A.

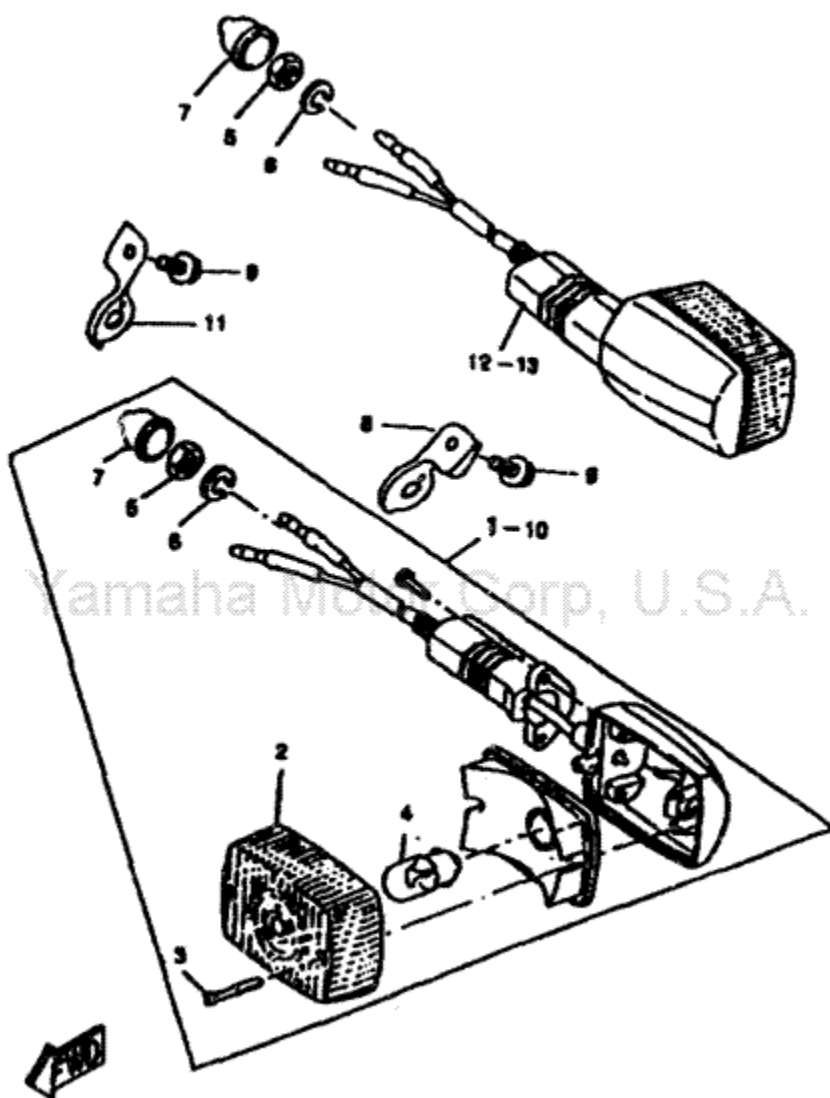
Item	Part #	Description	Notes	Req
1	4UY-E4610-00-00	EXHAUST PIPE ASSY 1		1
3	3HK-14613-00-00	GASKET, EXHAUST PIPE		1
4	90153-06061-00	SCREW, HEXAGON		2
5	95817-08020-00	BOLT, FLANGE		1
6	95817-08040-00	BOLT, FLANGE		1
11	NJ6-54041-00-00	SCREW, BIND		2
13	3WX-14766-00-00	WASHER, PROTECTOR		2
14	3HL-F2245-00-00	WASHER	2	
15	4VV-E4729-00-P1	EMBLEM, PROTECTOR	UR LIGHT YELLOWISH GREY	1
19	2JA-14737-00-00	DAMPER, MUFFLER		1

FENDER



Item	Part #	Description	Notes	Req	
1	4RW-F1511-00-P1	FENDER, FRONT	UR DULL CYAN METALLIC	1	
	4RW-F1511-10-00	FENDER (FRONT)	Use for Color YAMAHA BLACK (YB / 0033)	1	1
2	3VL-F1551-10-00	OVER, FENDER	BLACK	1	
3	97707-50016-00	SCREW, TRUSS HEAD TAPPING		2	
4	3VL-F7482-00-00	MOLD, FOOTREST	UR BLACK	1	
5	3VL-F1552-01-00	FENDER, INNER		1	
6	3VL-F1553-00-00	FENDER, INNER 2	UR BLACK	1	
7	95817-06010-00	BOLT, FLANGE		1	
8	90119-06085-00	BOLT, WITH WASHER		2	
9	35R-26294-00-00	NUT 1		3	
10	3WV-F1565-00-00	EMBLEM 2		1	
11	3VL-F1545-00-00	PLATE 3		2	
12	90154-06808-00	SCREW, BINDING		1	
13	3VL-F1629-00-00	GUARD, MUD	UR BLACK	1	
14	95707-06500-00	NUT, FLANGE		4	
15	90119-06018-00	BOLT, WITH WASHER		2	
16	4SW-F1569-00-00	GRAPHIC 1	Use for Color YAMAHA BLACK (YB / 0033)	1	1
	4SW-F1569-10-00	GRAPHIC 1	Use for Color DULL CYAN METALLIC 4 (DCM4 / 0449)	1	1

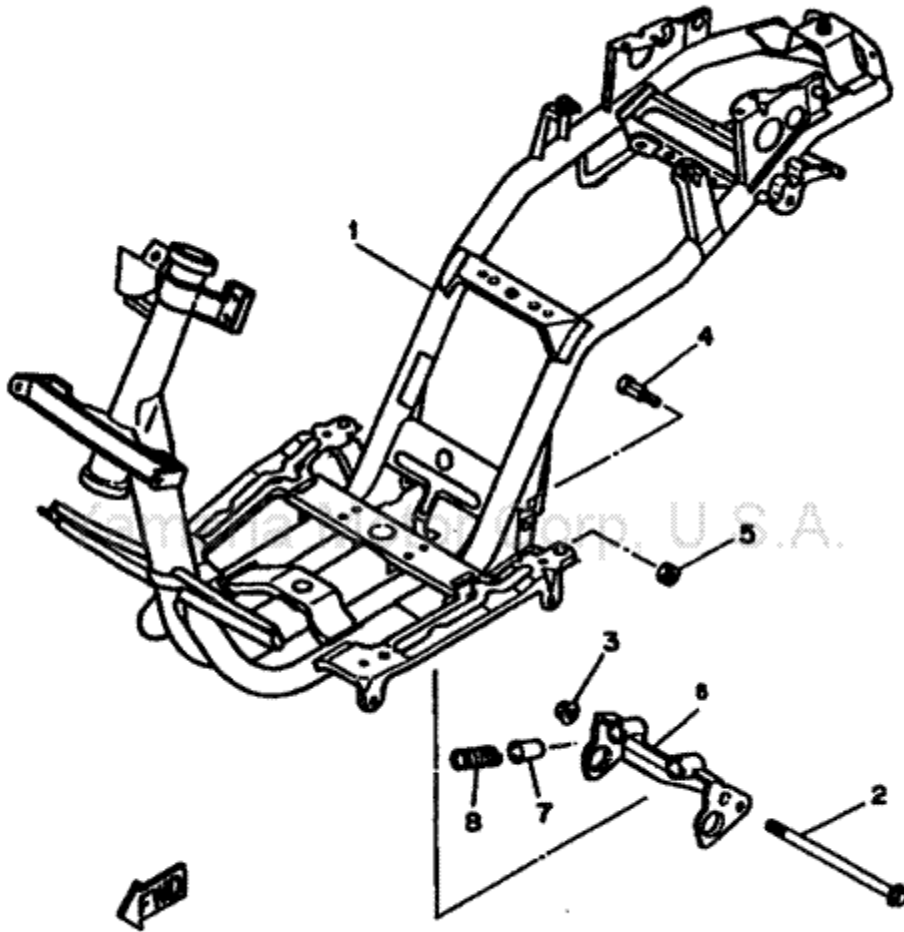
FLASHER LIGHT



(c) 2005-2009 Yamaha Motor Corporation, U.S.A.

Item	Part #	Description	Notes	Req	
1	4UY-H3310-00-00	FRONT FLASHER LIGHT ASSY 1			1
2	4UY-H3312-00-00	LENS, FLASHER		4	
3	97701-40530-00	SCREW, TAPPING		8	
4	NDH-H3311-00-01	BULB		4	
5	95303-12600-00	NUT		4	
6	92901-12100-00	WASHER, SPRING		4	
7	10V-83365-00-00	CAP		4	
8	4BX-H3318-00-11	STAY, FLASHER 1	UR YAMAHA BLACK		1
9	95807-08012-00	BOLT, FLANGE		2	
10	4UY-H3320-00-00	FRONT FLASHER LIGHT ASSY 2			1
11	4BX-H3328-00-11	STAY, FLASHER 2	UR YAMAHA BLACK		1
12	4BX-H3330-00-00	REAR FLASHER LIGHT ASSY 1			1
13	4BX-H3340-00-00	REAR FLASHER LIGHT ASSY 2			1

FRAME

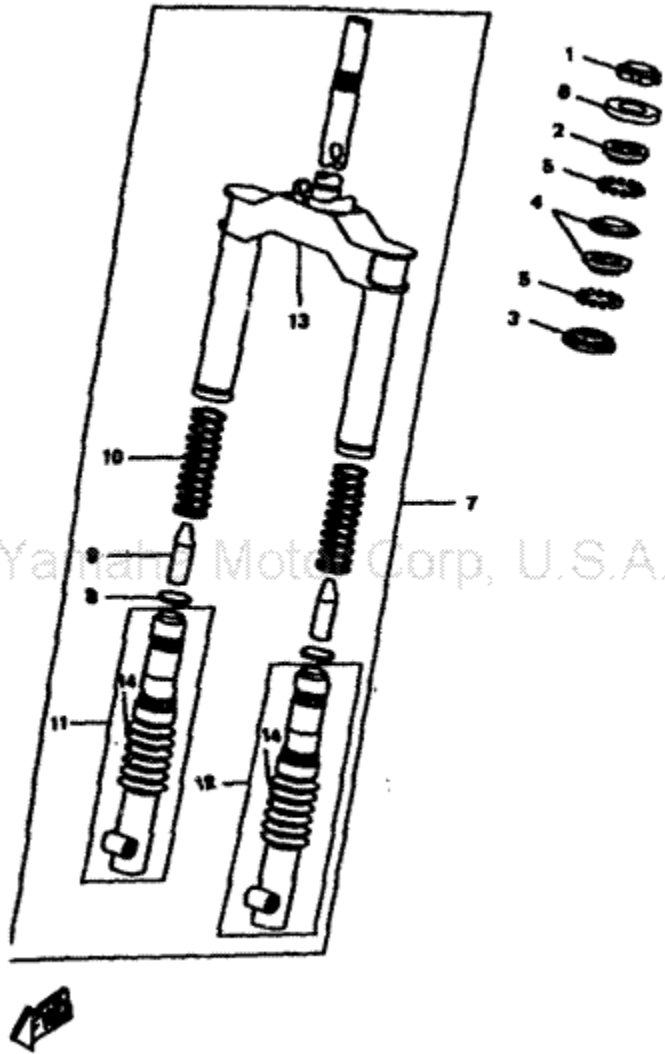


3VL1351-0120

(c) 2005-2009 Yamaha Motor Corporation, U.S.A.

Item	Part #	Description	Notes	Req	
1	4RW-F1110-01-00	FRAME COMP.		UR YAMAHA BLACK	1
2	90105-10063-00	BOLT, FLANGE		1	
3	90179-10279-00	NUT	1		
4	2T4-21481-01-00	BOLT, ENGINE MOUNTING	1	2	
5	95617-10100-00	NUT, U	2		
6	3VL-F1410-11-00	ENGINE BRACKET COMP.		UR YAMAHA BLACK	1
7	2T4-2139X-00-00	DAMPER	2		
8	90501-29517-00	SPRING, COMPRESSION		1	
	3MX-21568-00-00	LABEL, WARNING	1		

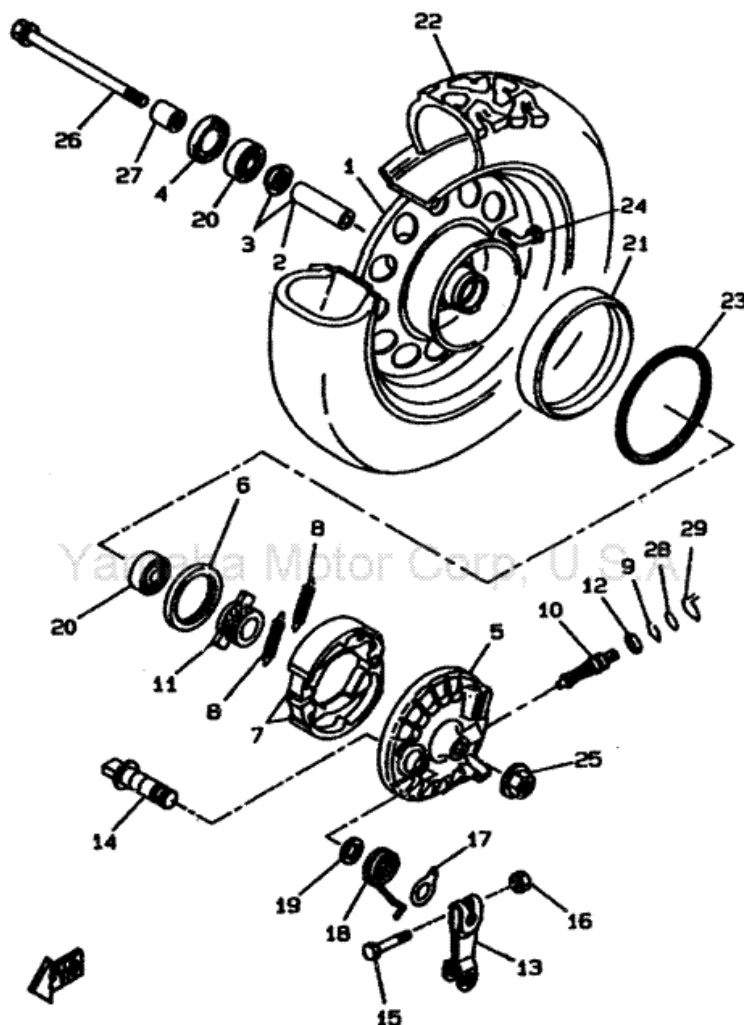
FRONT FORK



(c) 2005-2009 Yamaha Motor Corporation, U.S.A.

Item	Part #	Description	Notes	Req
1	90179-25033-00	NUT		2
2	22F-23411-01-00	RACE, BALL 1		1
3	22F-23414-01-00	RACE, BALL 4		1
4	22F-23412-01-00	RACE, BALL 2		2
5	93503-16010-00	BALL 3	44	
6	122-23416-00-00	COVER, BALL RACE 2		1
7	4UY-F3100-20-00	FRONT FORK ASSEMBLY		1
8	3VL-F3143-00-00	RUBBER	2	
9	3VL-F3143-00-00	RUBBER	2	
10	3VL-F3195-00-00	SPRING FRONT FORK		2
11	3VL-F3120-00-00	INNER TUBE COMP. (RIGHT)		1
12	3VL-F3110-00-00	INNER TUBE COMP. (LEFT)		1
13	3VL-F3340-20-00	UNDER BRACKET COMP.		1
14	3VL-F3191-00-00	BOOT	2	

FRONT WHEEL

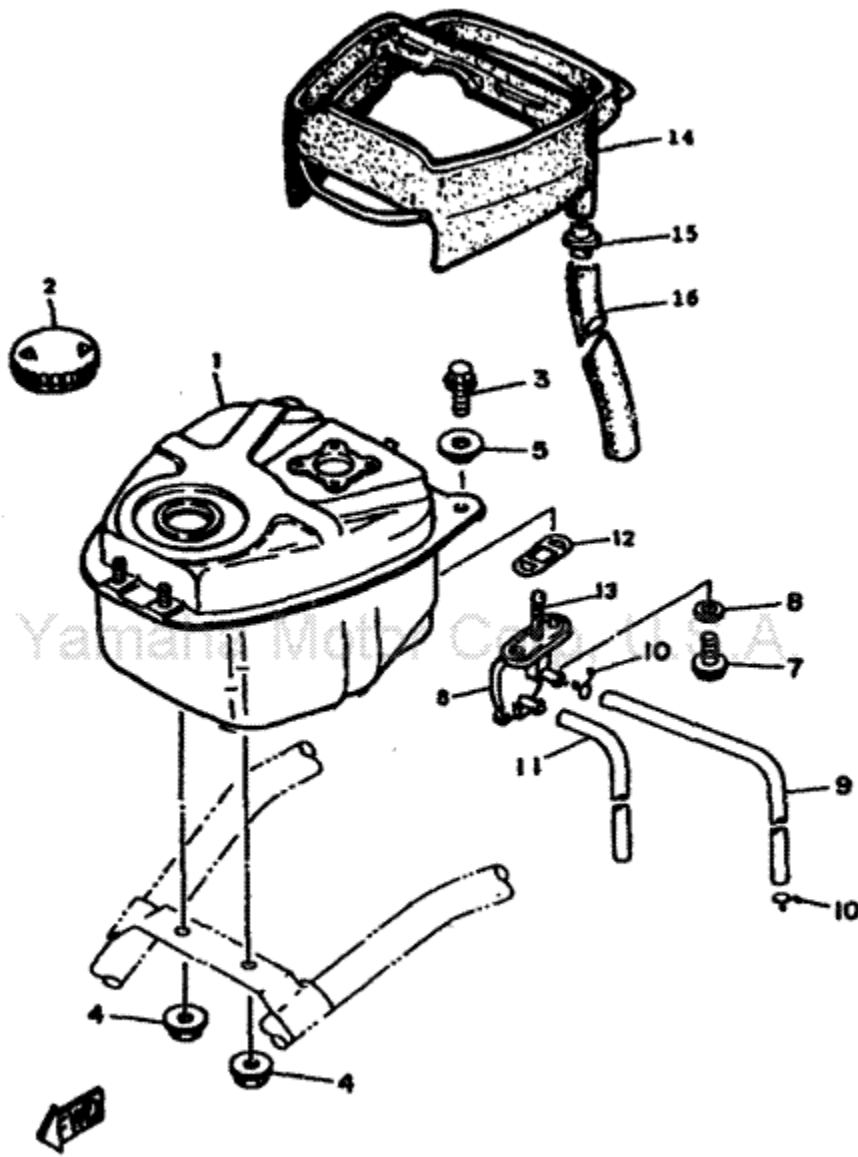


3AA010-8200

(c) 2005-2009 Yamaha Motor Corporation, U.S.A.

Item	Part #	Description	Notes	Req
1	3VL-F5180-00-P2	FRONT WHEEL COMP.	UR LIGHT YELLOWISH GREY	1
2	90560-10347-00	SPACER		1
3	4KH-W5115-17-00	FLANGE, SPACER 1		1
4	93106-20001-00	OIL SEAL		1
5	3AA-25121-00-P2	PLATE, BRAKE SHOE	UR LIGHT YELLOWISH GREY	1
6	93102-40367-00	OIL SEAL		1
7	4BX-W2536-00-00	BRAKE SHOE COMP.		1
8	90506-15260-00	SPRING, TENSION		2
9	2T4-25137-00-00	RING, STOP		1
10	3AA-25138-00-00	GEAR, METER		1
11	3AA-25135-00-00	GEAR, DRIVE		1
12	90201-064L6-00	WASHER, PLATE		1
13	3E1-25155-00-00	LEVER, CAMSHAFT 1		1
14	3Y6-25351-00-00	CAMSHAFT		1
15	90101-06278-00	BOLT		1
16	95307-06600-00	NUT		1
17	3Y6-2533A-01-00	PLATE, INDICATOR		1
18	90508-26393-00	SPRING, TORSION (K17)		1
19	36F-25159-00-00	SEAL, CAMSHAFT		1
20	93306-30003-00	BEARING (B6300Z)		2
21	3VL-F5185-00-00	RING 1		1
22	94112-108C5-00	TIRE (120/90-10 54J)/90-10 DUNLOP		1
23	3VL-F514A-00-00	RING, WHEEL 1 (LEFT)		1
24	3VL-F5170-10-00	AIR VALVE ASSY		1
25	95617-10200-00	NUT, SELF-LOCKING		1
26	3AA-25181-00-00	AXLE, WHEEL		1
27	90387-102V7-00	COLLAR		1
28	93210-10010-00	O-RING		1
29	2E9-25137-01-00	RING, STOP		1

FUEL TANK

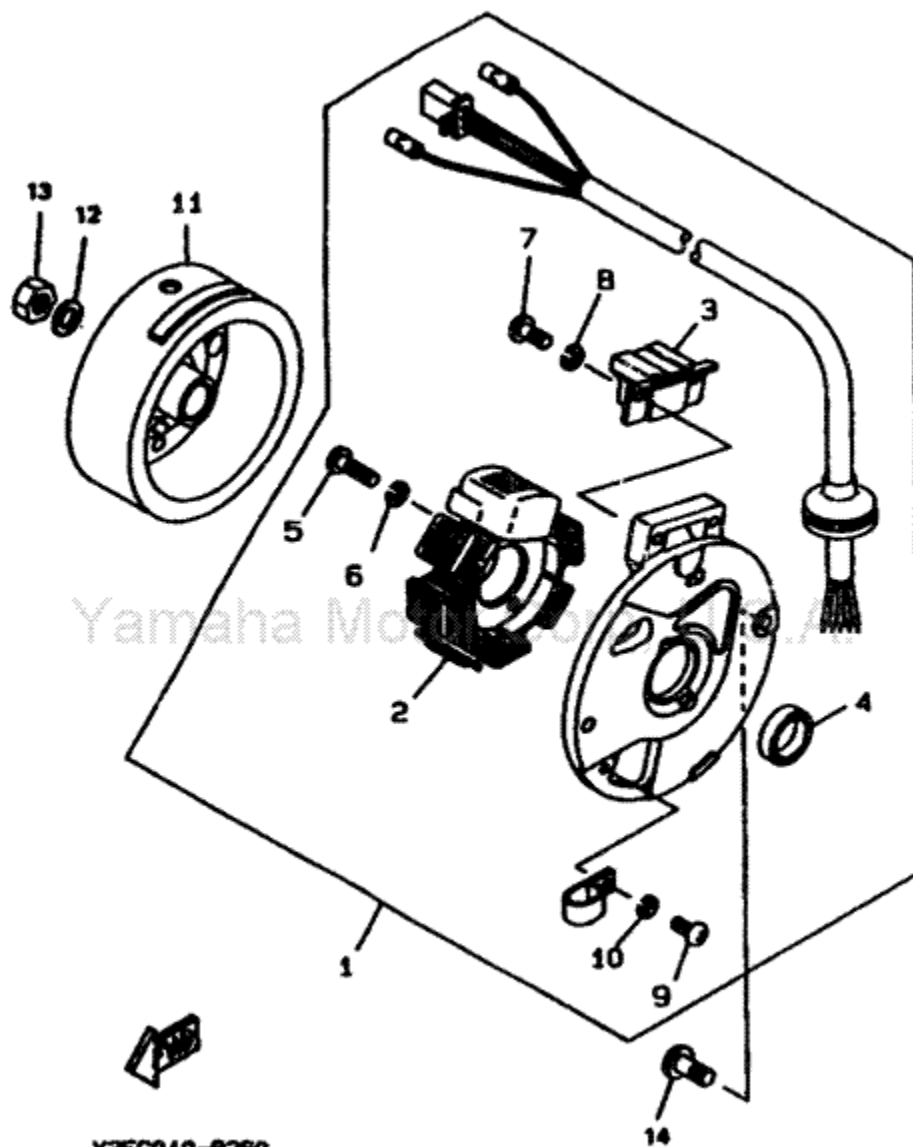


3VL1351-0180

(c) 2005-2009 Yamaha Motor Corporation, U.S.A.

Item	Part #	Description	Notes	Req
1	3VL-F4110-10-00	FUEL TANK COMP.		1
2	50M-24610-10-00	CAP ASSY		1
3	95027-06012-00	BOLT, FLANGE		2
4	95707-06500-00	NUT, FLANGE		4
5	90209-06306-00	WASHER (0.6T)		2
6	4UY-F4500-00-00	FUEL COCK ASSY 1		1
7	90149-06011-00	SCREW	2	
8	90202-05193-00	WASHER, PLATE		2
9	3AA-24311-00-00	PIPE, FUEL 1		1
10	90467-09006-00	CLIP	2	
11	90445-07370-00	HOSE (L850)		1
12	3VL-F4512-00-00	GASKET	1	
13	3VL-F4501-00-00	FILTER, FUEL		1
14	3VL-F414A-10-00	COVER, FILLER		1
15	3VL-F4545-00-00	SPACER, FUEL COCK		1
16	3VL-F4318-00-00	PIPE, OVERFLOW		1

GENERATOR

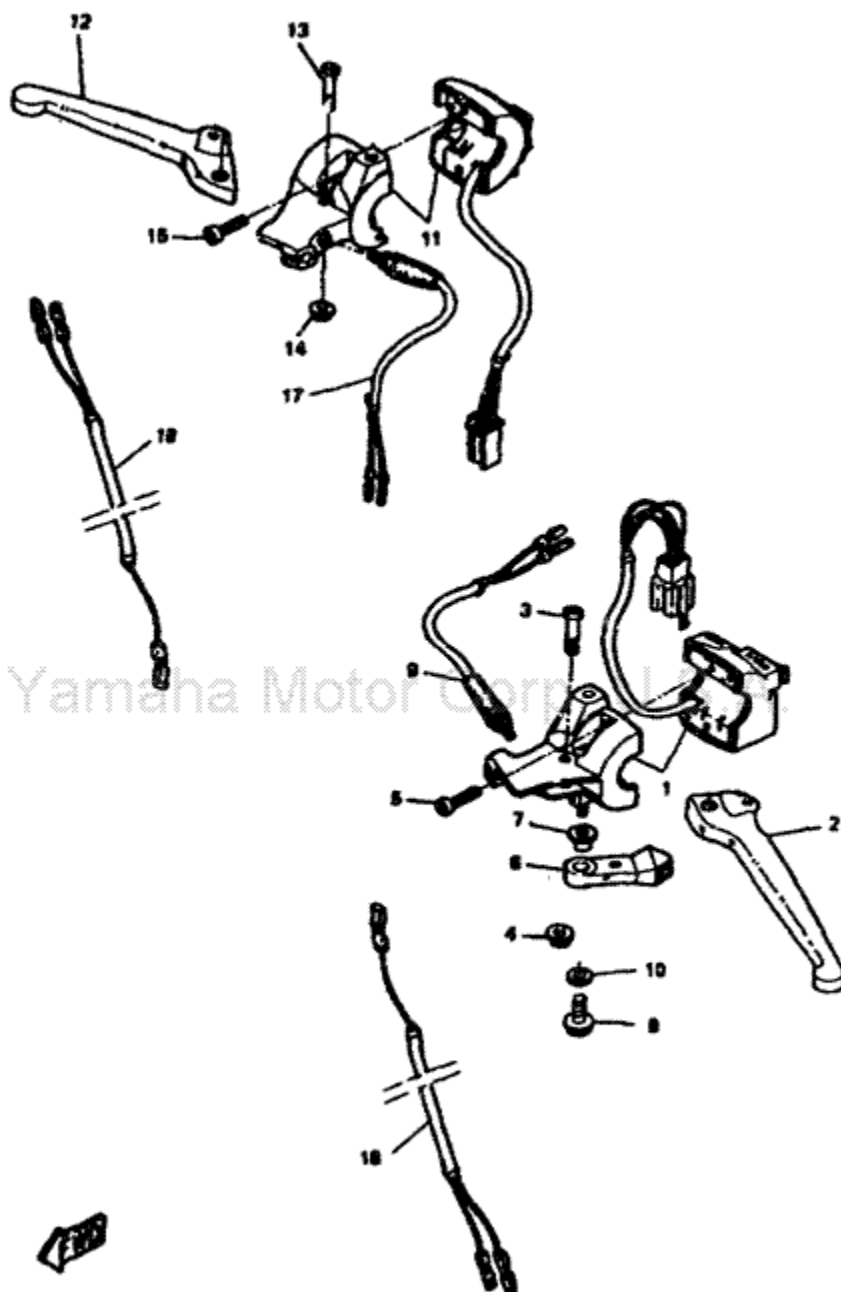


Y3FC010-0260

(c) 2005-2009 Yamaha Motor Corporation, U.S.A.

Item	Part #	Description	Notes	Req
1	3ES-85560-01-00	BASE ASSY		1
2	3ES-81403-00-00	STATOR COMP.		1
3	2JA-85580-M0-00	COIL, PULSER		1
4	93104-19097-00	OIL SEAL	1	1
5	98580-05525-00	SCREW, PAN HEAD		2
6	92901-05100-00	WASHER, SPRING		4
7	98507-05010-00	SCREW, PAN HEAD		1
8	92990-05100-00	WASHER, SPRING		1
9	98507-04006-00	SCREW, PAN HEAD		1
10	92990-04100-00	WASHER, SPRING		1
11	2JA-85550-00-00	ROTOR ASSY		1
12	92907-10600-00	WASHER, PLATE		1
13	90170-10219-00	NUT	1	1
14	98507-06016-00	SCREW, PAN HEAD		2

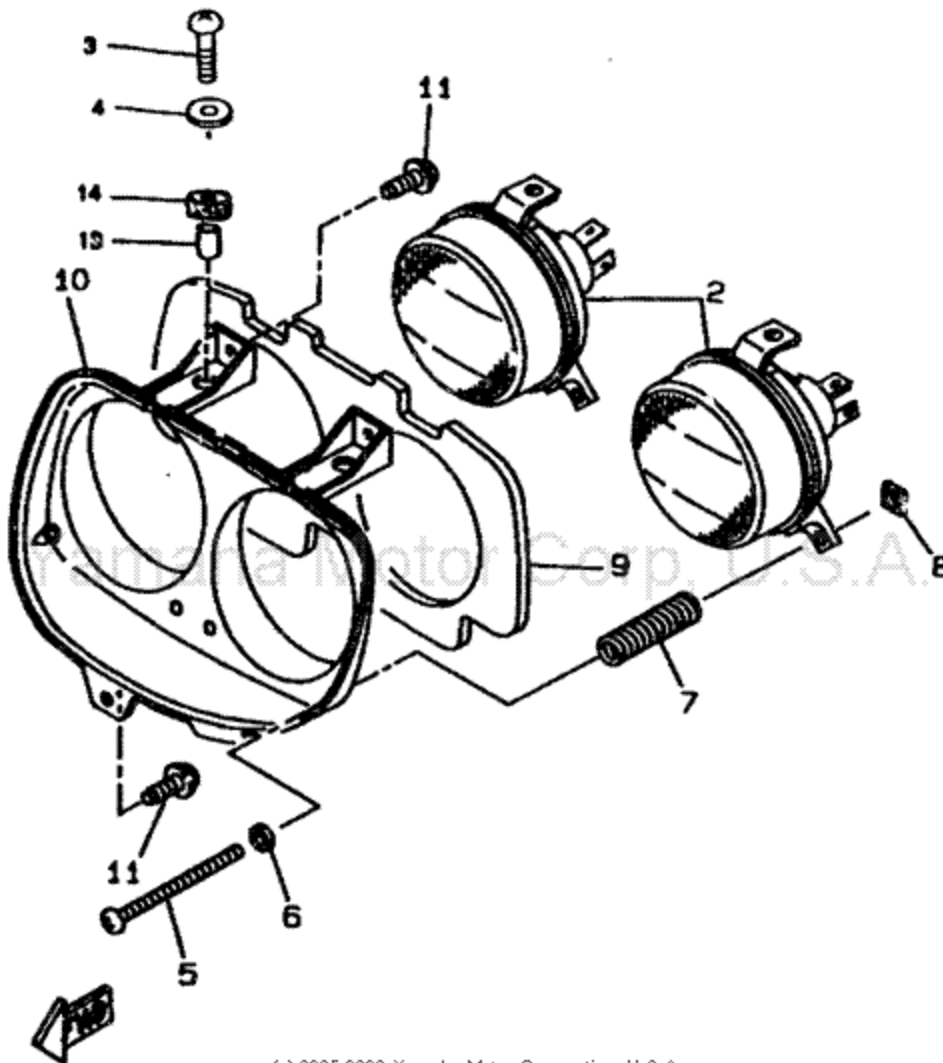
HANDLE SWITCH LEVER



(c) 2005-2009 Yamaha Motor Corporation, U.S.A.

Item	Part #	Description	Notes	Req	
1	3ES-82910-00-00	LEVER HOLDER ASSEMBLY			1
2	14T-83912-01-00	LEVER 1		1	
3	90149-06262-00	SCREW		1	
4	95707-05300-00	NUT, FLANGE		2	
5	98586-05016-00	SCREW, PAN HEAD		2	
6	4K3-83941-00-00	LEVER, STARTER		1	
7	3L4-83943-00-00	WASHER, STARTER			1
8	98507-05012-00	SCREW, PAN HEAD		1	
9	2T4-83980-00-00	FRONT STOP SWITCH			1
10	92907-05200-00	WASHER		1	
11	3ES-82920-00-00	LEVER HOLDER ASSEMBLY (RIGHT)			1
12	14T-83922-01-00	LEVER 2		1	
13	90149-06175-00	SCREW		1	
14	95707-05300-00	NUT, FLANGE		1	
15	98507-05012-00	SCREW, PAN HEAD		2	
17	3E1-83980-01-00	FRONT STOP SWITCH ASSEMBLY			1
18	4RW-H2117-00-00	WIRE LEAD		1	
19	4RW-H2127-00-00	WIRE LEAD 2		1	

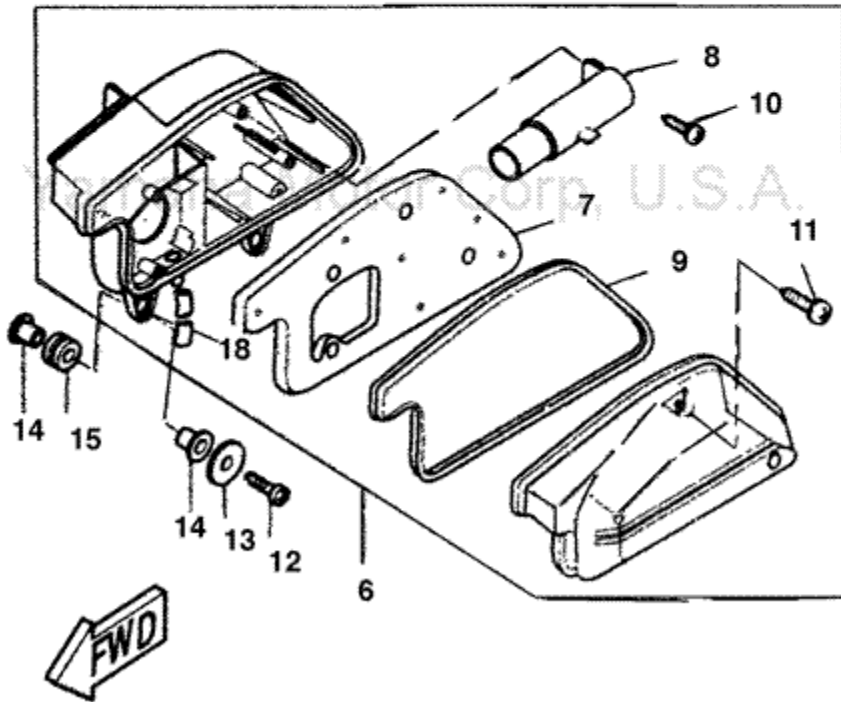
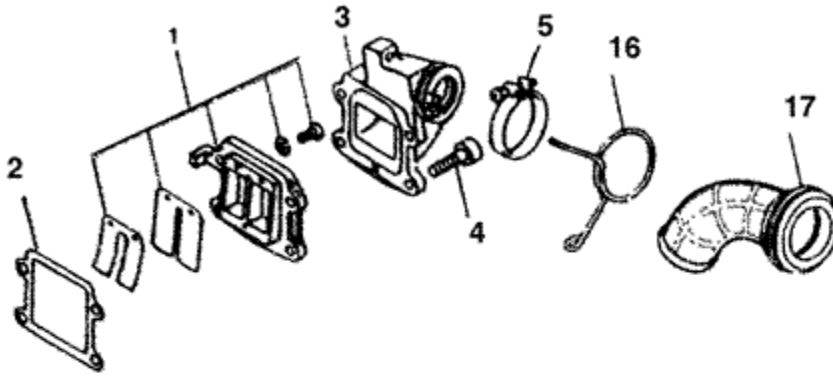
HEADLIGHT



(c) 2005-2009 Yamaha Motor Corporation, U.S.A.

Item	Part #	Description	Notes	Req
2	3ES-84310-00-00	HEADLIGHT UNIT ASSY		2
3	3ES-84325-00-00	SCREW, RIM FITTING		2
4	3ES-84327-00-00	WASHER, SPECIAL	2	
5	3AA-84331-00-00	SCREW, RIM ADJUSTING		4
6	3AA-84327-00-00	WASHER, SPECIAL	4	
7	3AA-84332-00-00	SPRING, SCREW	4	
8	3ES-84334-00-00	NUT, ADJUSTING	4	
9	3AA-84144-00-00	COVER, HEADLIGHT		1
10	3ES84196-30-00	COVER, SOCKET	1	
11	90159-05089-00	SCREW, WITH WASHER		3
13	3ES-84328-00-00	SPACER	2	
14	3ES-84354-00-00	GROMMET		2

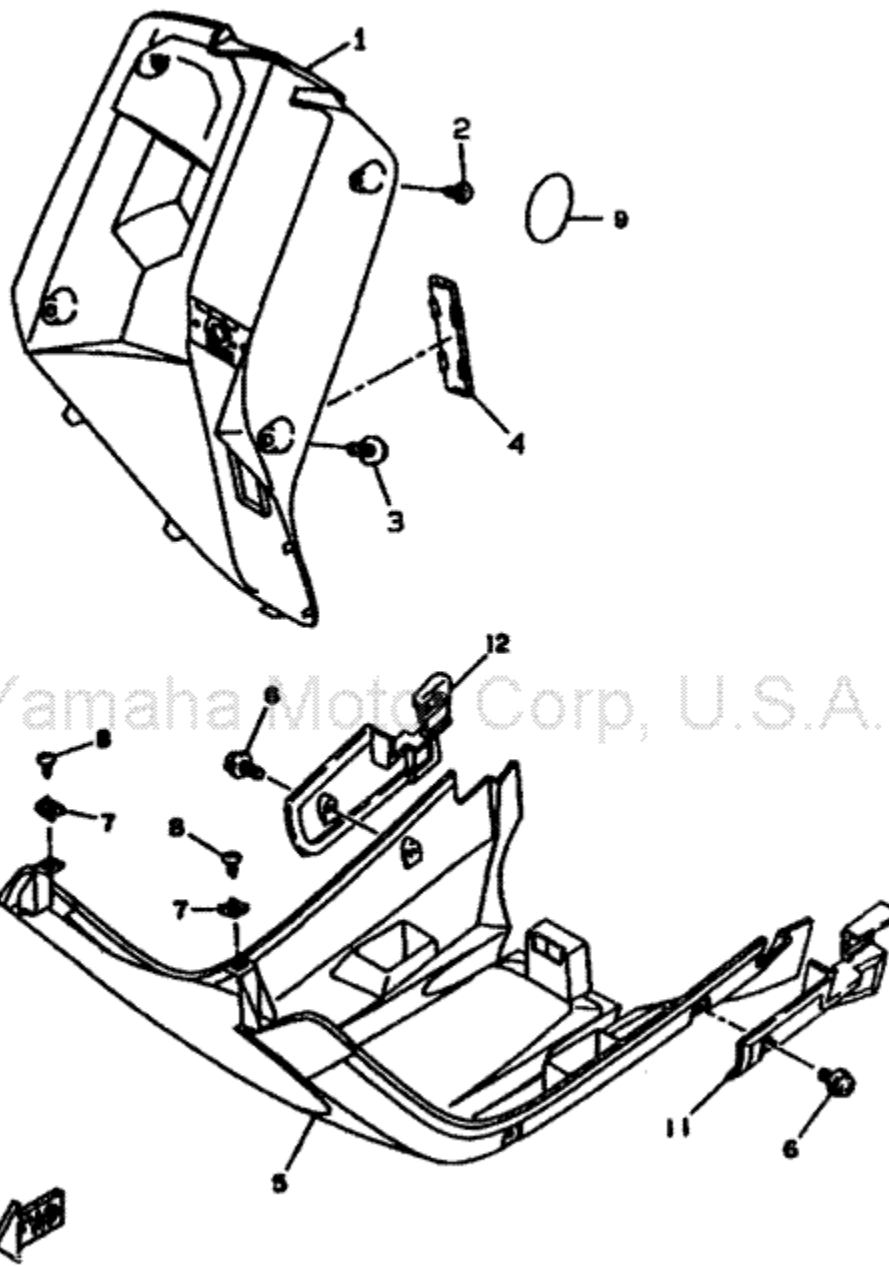
INTAKE



(c) 2005-2009 Yamaha Motor Corporation, U.S.A.

Item	Part #	Description	Notes	Req
1	3VL-E3610-00-00	REED VALVE ASSY		1
2	4KN-13621-00-00	GASKET, VALVE SEAT		1
3	3VL-E3555-00-00	MANIFOLD, INTAKE		1
4	91317-06020-00	BOLT	4	
5	90450-32081-00	HOSE CLAMP ASSY		1
6	4GP-E4410-01-00	AIR CLEANER ASSEMBLY.		1
7	3VL-E4451-00-00	ELEMENT, AIR CLEANER		1
8	3VL-E4437-00-00	DUCT	1	
9	3VL-E4452-00-00	SEAL	1	
10	3VL-E4429-00-00	SCREW	1	
11	3VL-E4565-00-00	SCREW	4	
12	98507-06025-00	SCREW, PAN HEAD		2
13	92907-06600-00	WASHER, PLATE		3
14	90387-061V4-00	COLLAR	4	
15	90480-12497-00	GROMMET		2
16	90467-24140-00	CLIP	1	
17	3VL-E4453-01-00	JOINT, AIR CLEANER		1
18	5T8-F1745-01-00	PIPE, OIL TANK BREATHER		1

LEG SHIELD

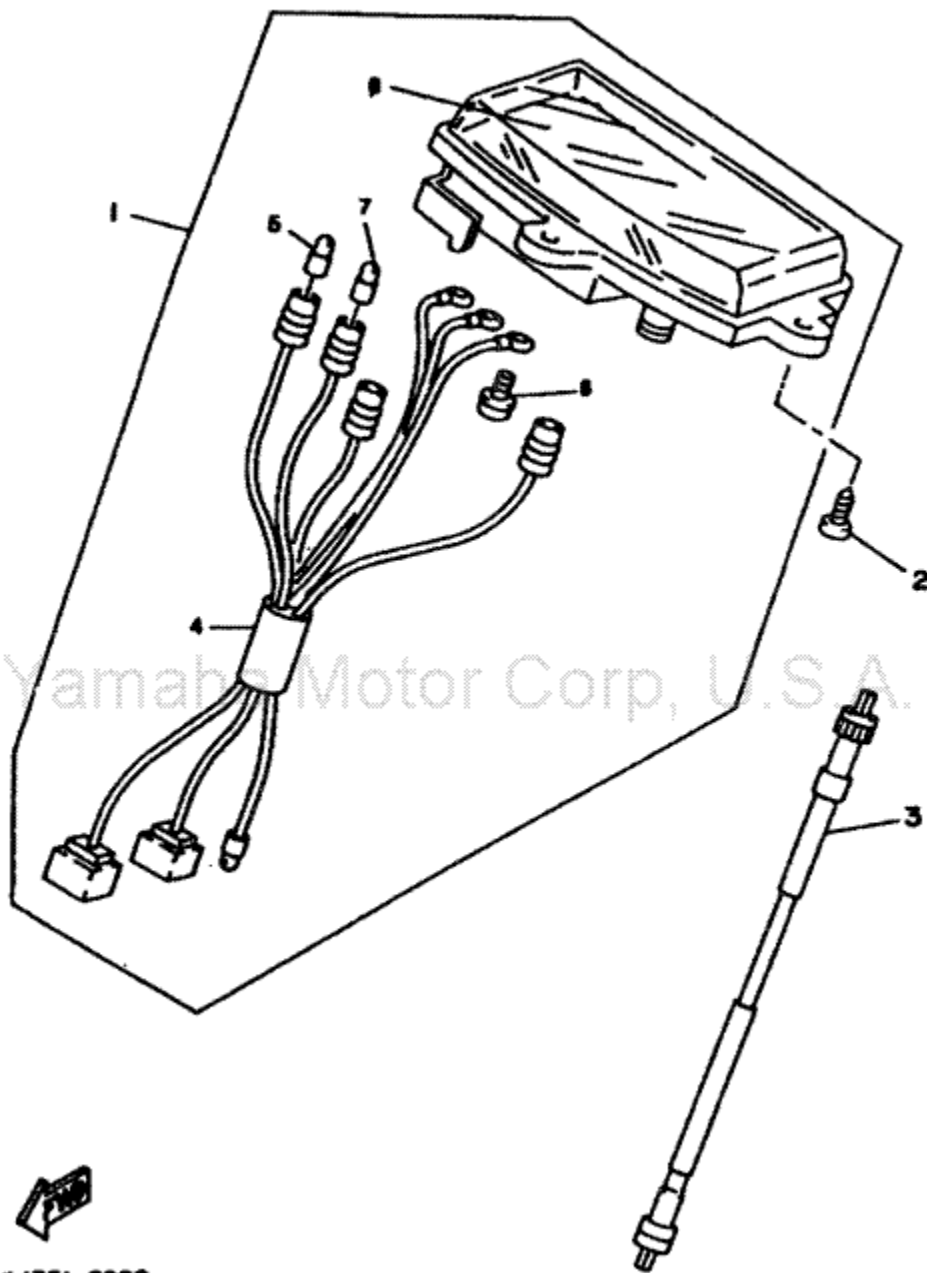


AL1351-0240

(c) 2005-2009 Yamaha Motor Corporation, U.S.A.

Item	Part #	Description	Notes	Req	
1	3VL-F8311-10-00	LEG SHIELD 1	UR BLACK	1	
2	97707-50016-00	SCREW, TRUSS HEAD TAPPING			2
3	90159-06182-00	SCREW, WITH WASHER		6	
4	3WV-F8349-10-00	CAP	UR BLACK	1	
5	4CA-F8385-10-00	COVER, LOWER	UR BLACK	1	
6	90159-06182-00	SCREW, WITH WASHER		2	
7	90183-05042-00	NUT, SPRING		2	
8	97707-50012-00	SCREW, TRUSS HEAD TAPPING			2
9	3VL-F8315-10-00	EMBLEM	UR BLACK	1	
11	3MX-27486-20-00	COVER 1	UR BLACK	1	
12	3MX-27487-20-00	COVER 2	UR BLACK	1	
	4UY-F1186-00-00	PLATE, PERMIT		1	
	4UY-F179X-00-00	PLATE, EPA U50		1	

METER

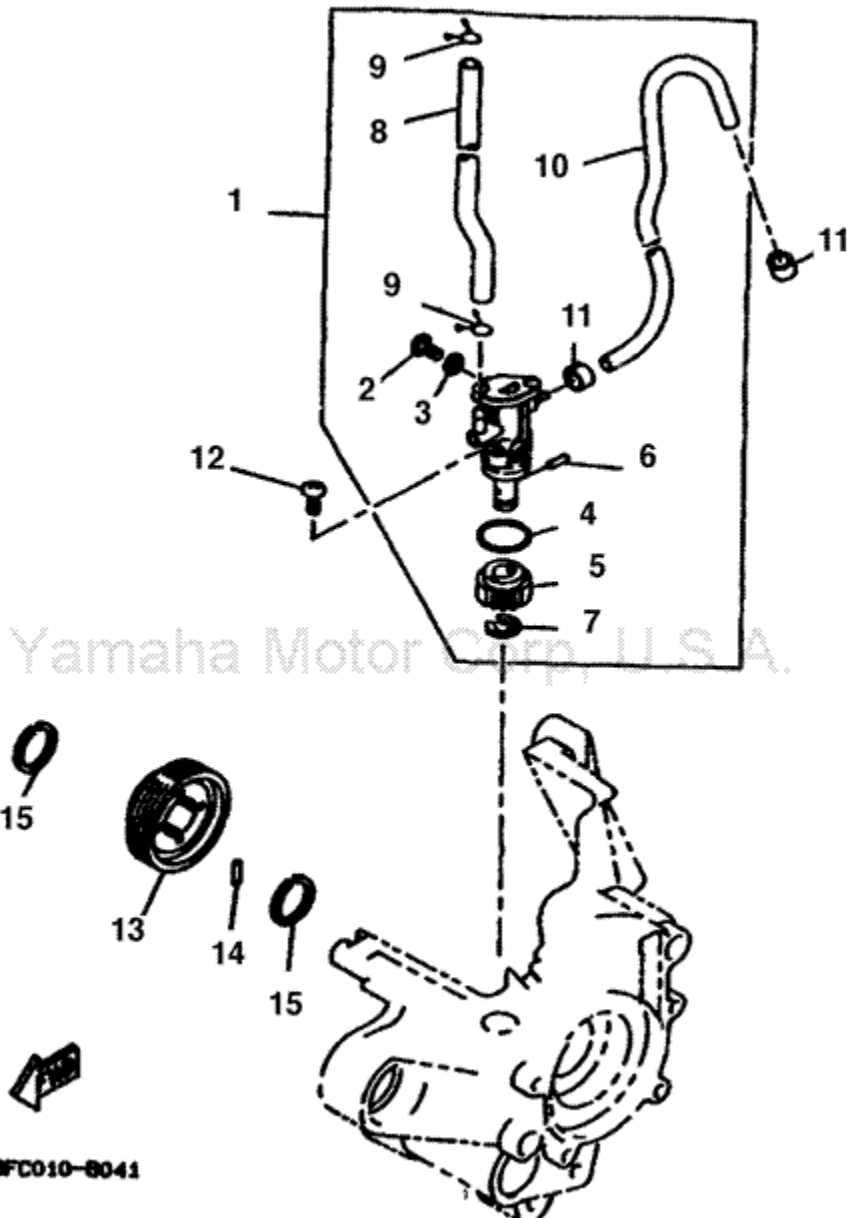


VL1351-0280

(c) 2005-2009 Yamaha Motor Corporation, U.S.A.

Item	Part #	Description	Notes	Req
1	3ES-83510-00-00	SPEEDOMETER ASSY		1
2	97707-50016-00	SCREW, TRUSS HEAD TAPPING		2
3	3VL-H3550-00-00	SPEEDOMETER CABLE		1
4	3ES-83509-00-00	SOCKET CORD ASSY		1
5	3GM-83517-00-00	BULB (12V-1.7W) 7 WT10	2	
6	4CU-H3511-00-00	LENS SPEEDOMETER		1
7	3UP-H4347-00-00	BULB 12V-3/4W 2		
8	90159-03102-00	SCREW, WITH WASHER		3

OIL PUMP

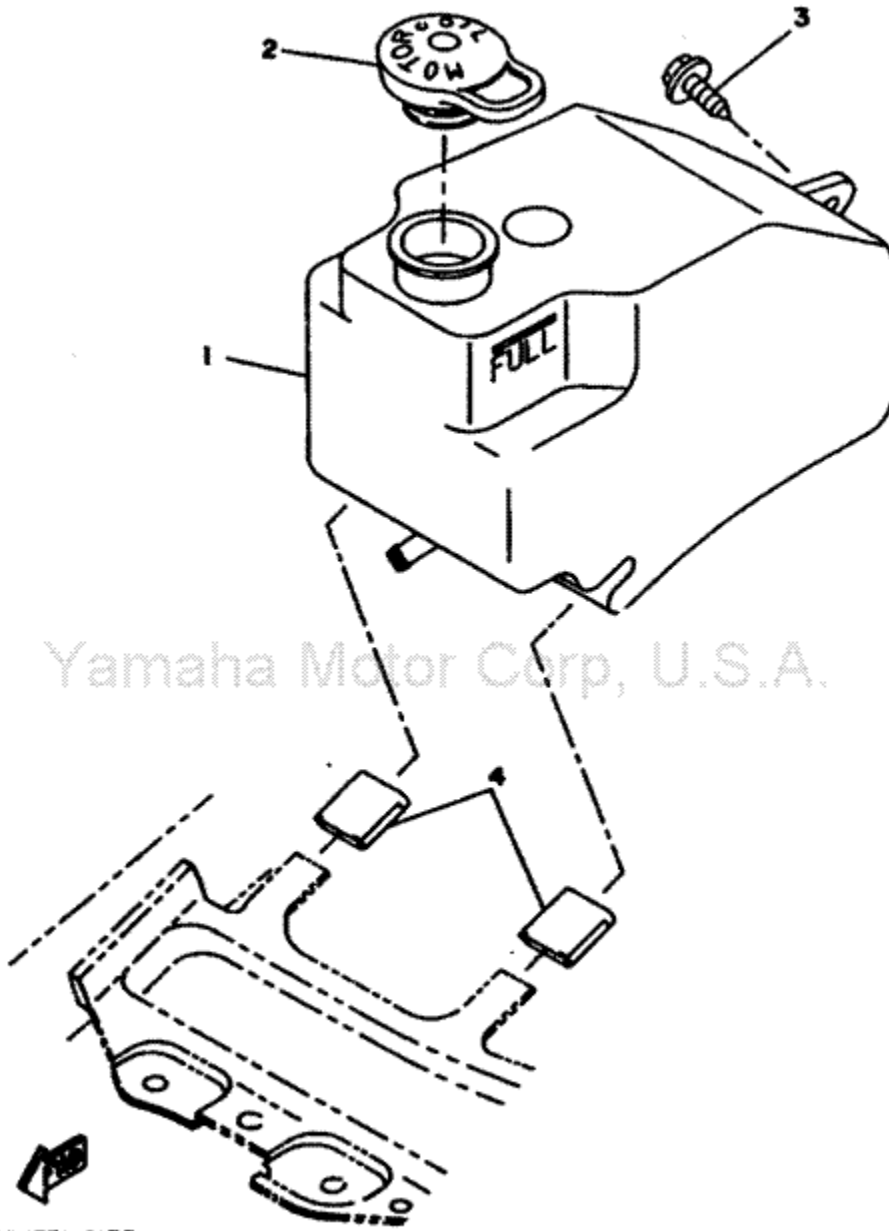


Y3FC010-8041

(c) 2005-2009 Yamaha Motor Corporation, U.S.A.

Item	Part #	Description	Notes	Req
1	3AA-13100-02-00	OIL PUMP ASSY		1
2	3WF-13185-00-00	BOLT, BREATHER		1
3	1YU-13187-00-00	GASKET, BREATHER BOLT		1
4	1YU-13473-00-00	O-RING	1	
5	3AA-13124-00-00	GEAR WORM WHEEL (40T)		1
6	1YU-13516-00-00	PIN, DOWEL		1
7	1YU-13577-00-00	CLIP	1	
8	90445-083J7-00	HOSE	1	
9	90468-02033-00	CLIP	1	
10	1YU-13418-00-00	PIPE, OIL 2		1
11	90467-08003-00	CLIP	1	
12	98507-05014-00	SCREW, PAN HEAD		2
13	3VL-E3178-00-00	GEAR, PUMP DRIVE		1
14	93603-12007-00	PIN, DOWEL		1
15	99009-19400-00	CIRCLIP	2	

OIL TANK



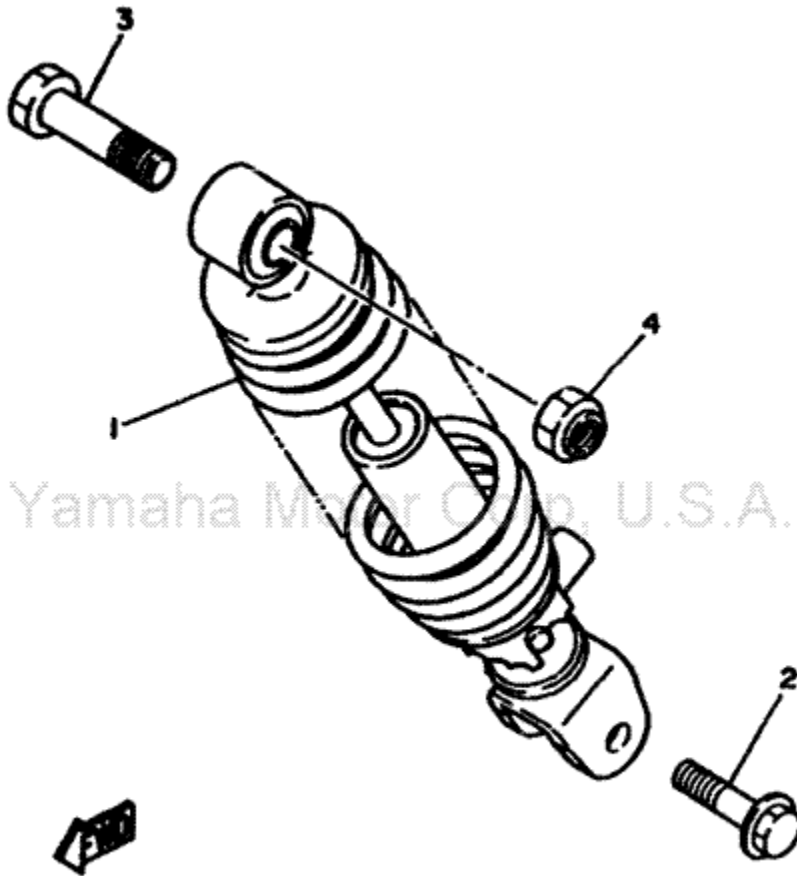
Yamaha Motor Corp, U.S.A.

3VL1351-0150

(c) 2005-2009 Yamaha Motor Corporation, U.S.A.

Item	Part #	Description	Notes	Req
1	3VL-F1751-00-00	TANK, OIL		1
2	2N3-21771-01-00	BODY, CAP		1
3	90119-06018-00	BOLT, WITH WASHER		2
4	2E9-24182-00-00	DAMPER, LOCATING 2		2

REAR SUSPENSION

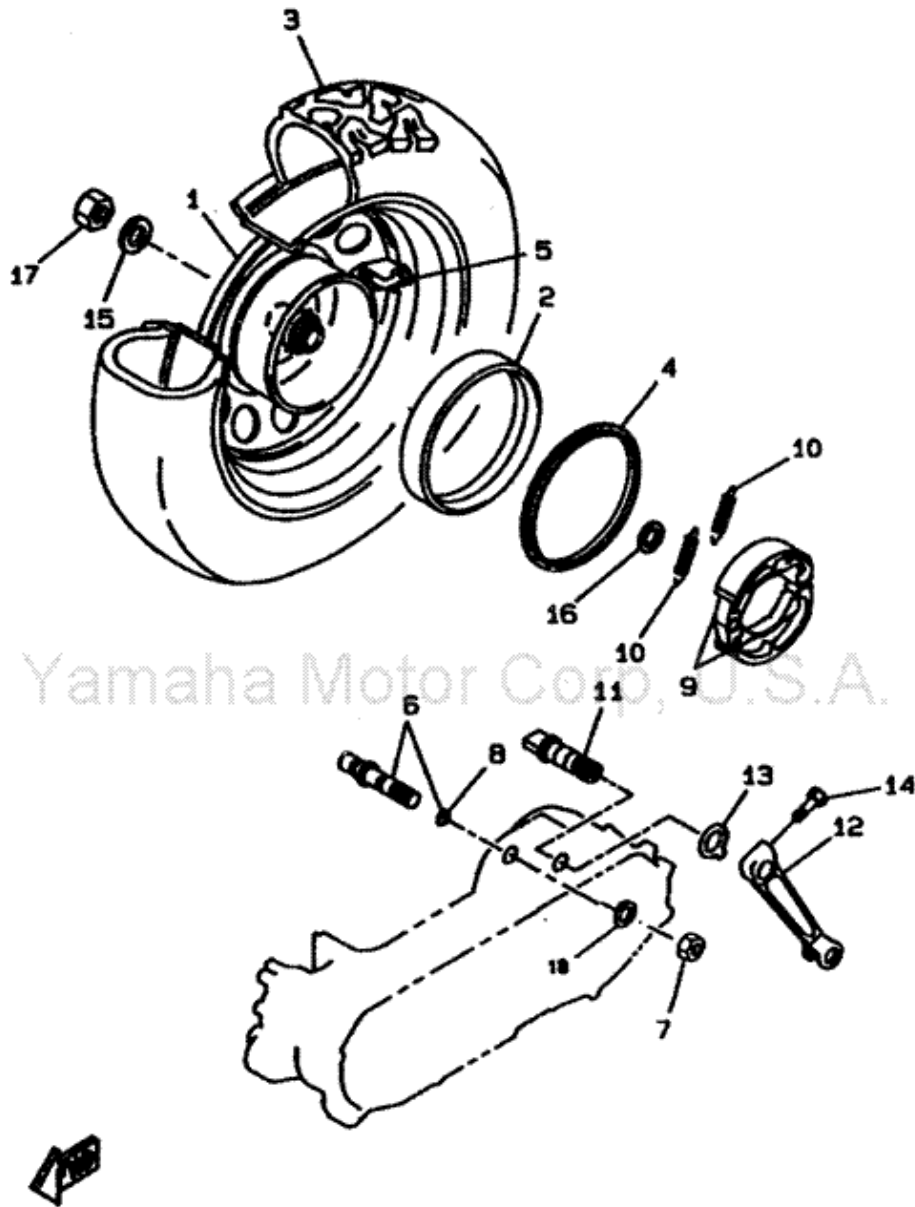


3MX1110-0160

(c) 2005-2009 Yamaha Motor Corporation, U.S.A.

Item	Part #	Description	Notes	Req
1	4UY-F2210-20-00	SHOCK ABSORBER ASSEMBLY		1
2	90105-08121-00	BOLT, FLANGE		1
3	90101-10776-00	BOLT		1
4	95617-10200-00	NUT, SELF-LOCKING		1

REAR WHEEL

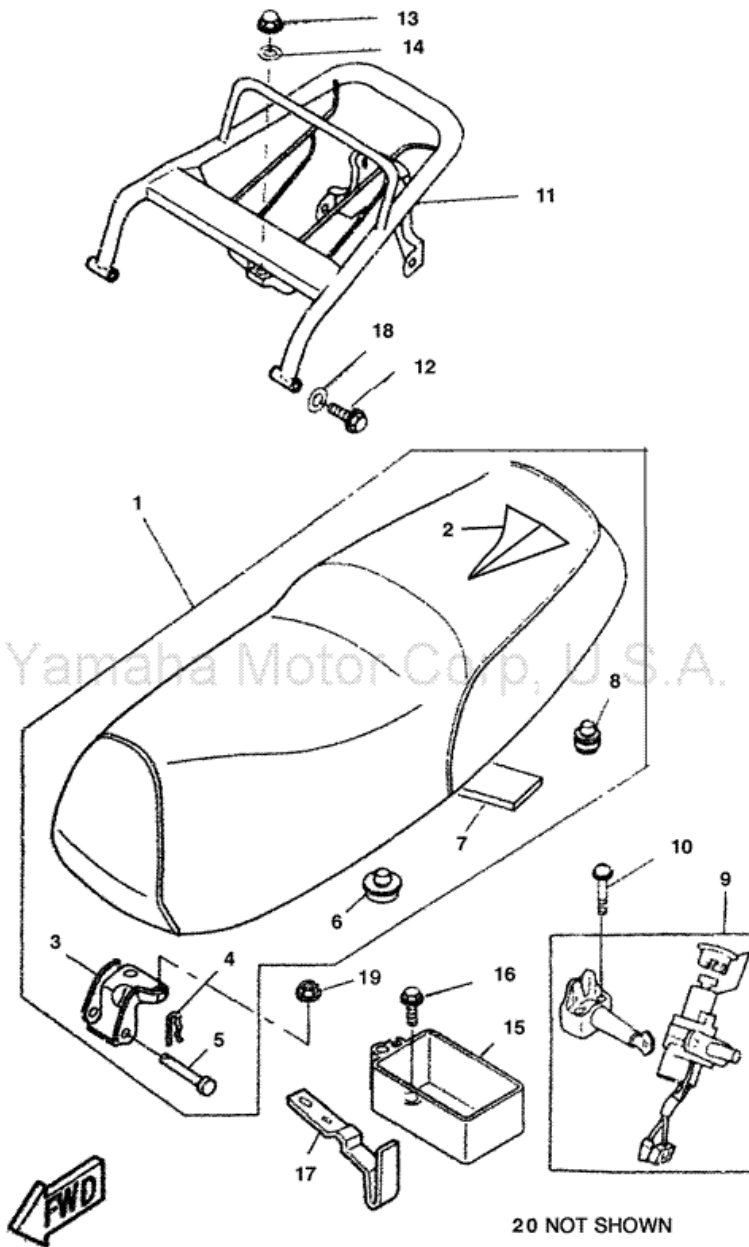


Y3AA010-B210

(c) 2005-2009 Yamaha Motor Corporation, U.S.A.

Item	Part #	Description	Notes	Req
1	3VL-F5390-00-P2	REAR WHEEL COMP.	UR LIGHT YELLOWISH GREY	1
2	3VL-F5336-00-00	RING 2		1
3	94113-108C6-00	TIRE (130/90-10 59J)/90-1 DUNLOP		1
4	3VL-F514A-00-00	RING, WHEEL 1 (LEFT)		1
5	3VL-F5170-10-00	AIR VALVE ASSY		1
6	3VL-F5326-00-00	PIN, PIVOT		1
7	3VL-F5182-00-00	NUT, AXLE		1
8	93210-07540-00	O-RING		1
9	4BX-W2536-00-00	BRAKE SHOE COMP.		1
10	90506-15260-00	SPRING, TENSION		2
11	3AA-25351-00-00	CAMSHAFT		1
12	3VL-F5355-00-00	LEVER, CAMSHAFT		1
13	3Y6-2533A-01-00	PLATE, INDICATOR		1
14	90101-06291-00	BOLT		1
15	90201-142M6-00	WASHER, PLATE		1
16	90201-177G4-00	WASHER, PLATE		1
17	90185-14081-00	NUT, SELF-LOCKING		1
18	3VL-F5384-00-00	WASHER, WHEEL		1

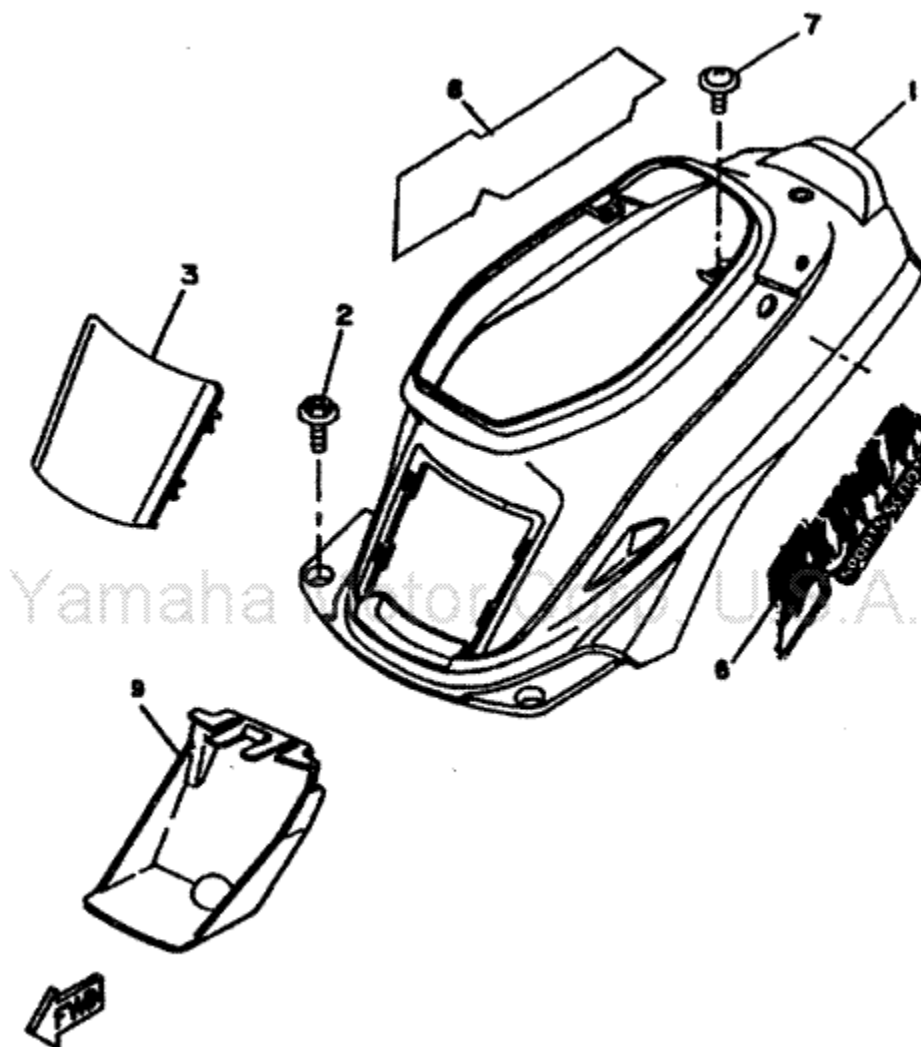
SEAT CARRIER



(c) 2005-2009 Yamaha Motor Corporation, U.S.A.

Item	Part #	Description	Notes	Req	
1	4PB-F4730-11-00	DOUBLE SEAT ASSEMBLY			1
2	4PB-F4731-10-00	COVER, SEAT		1	
3	3VL-F4726-00-00	HINGE, SEAT		1	
4	3VL-F4623-00-00	PIN 1		1	
5	3VL-F4572-00-00	SHAFT, FUEL CHARGE			1
6	3VL-F4741-00-00	PAD, SEAT		2	
7	3VL-F4737-00-00	DAMPER, SEAT		1	
8	3VL-F4741-10-00	PAD, SEAT		2	
9	4VV-H2021-01-00	KEY SET		1	
10	90159-06064-00	SCREW, WITH WASHER			2
11	4CA-F4842-10-33	CARRIER, REAR UR YAMAHA BLACK			1
12	95024-08055-00	BOLT, FLANGE (SMALL HEAD)			2
13	90176-08068-00	NUT, CROWN		1	
14	90201-08326-00	WASHER, PLATE		1	
15	3VL-F1171-00-00	BOX, TOOL		1	
16	90119-06018-00	BOLT, WITH WASHER			2
17	3VL-F1398-00-00	HANGER, HELMET		1	
18	92990-08600-00	WASHER, PLATE		2	
19	95707-06500-00	NUT, FLANGE		4	
20	3JJ-28446-00-00	LABEL, CAUTION NOT SHOWN			1
	3MX-24875-00-00	LABEL 1 NOT SHOWN		1	
	3TB-24877-00-00	LABEL, CAUTION NOT SHOWN		1	

SIDE COVER

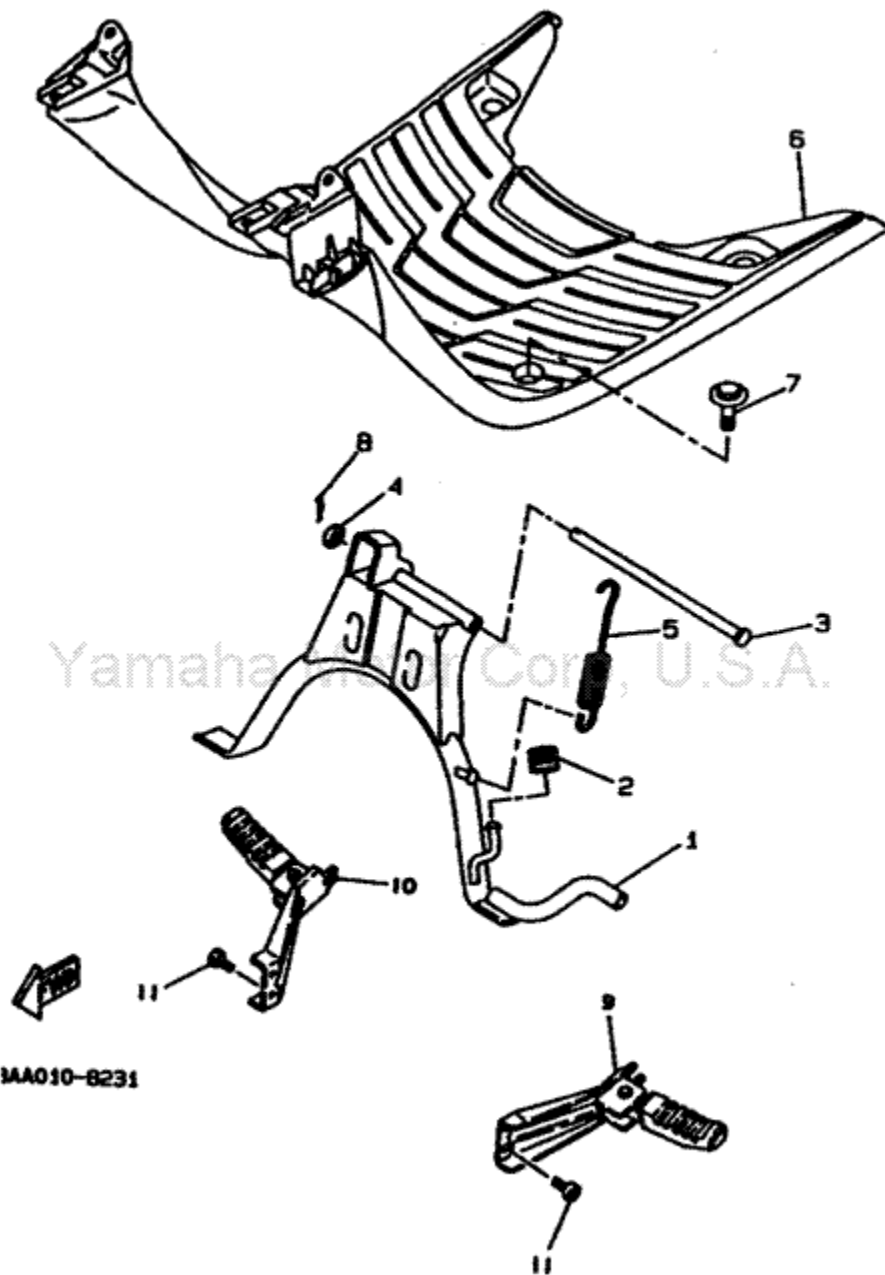


3VL1351-0140

(c) 2005-2009 Yamaha Motor Corporation, U.S.A.

Item	Part #	Description	Notes	Req
1	3MX-21711-10-00	COVER, SIDE 1	UR YAMAHA BLACK	1
	3MX-21711-10-PC	COVER, SIDE 1	UR DULL CYAN METALLIC	1
2	90119-06060-00	BOLT, WITH WASHER		2
3	3VL-F1721-00-PD	COVER, SIDE 1	UR DULL CYAN METALLIC	1
	3VL-F1721-10-00	COVER, SIDE 2	UR YAMAHA BLACK	1
6	4SW-F173E-00-00	GRAPHIC 1	Use for Color YAMAHA BLACK (YB / 0033)	2
	4SW-F173E-10-00	GRAPHIC 1	Use for Color DULL CYAN METALLIC 4 (DCM4 / 0449)	2
7	90159-06059-00	SCREW, WITH WASHER		2
9	3VL-F172A-00-00	PANEL 1	UR BLACK	1

STAND FOOTREST

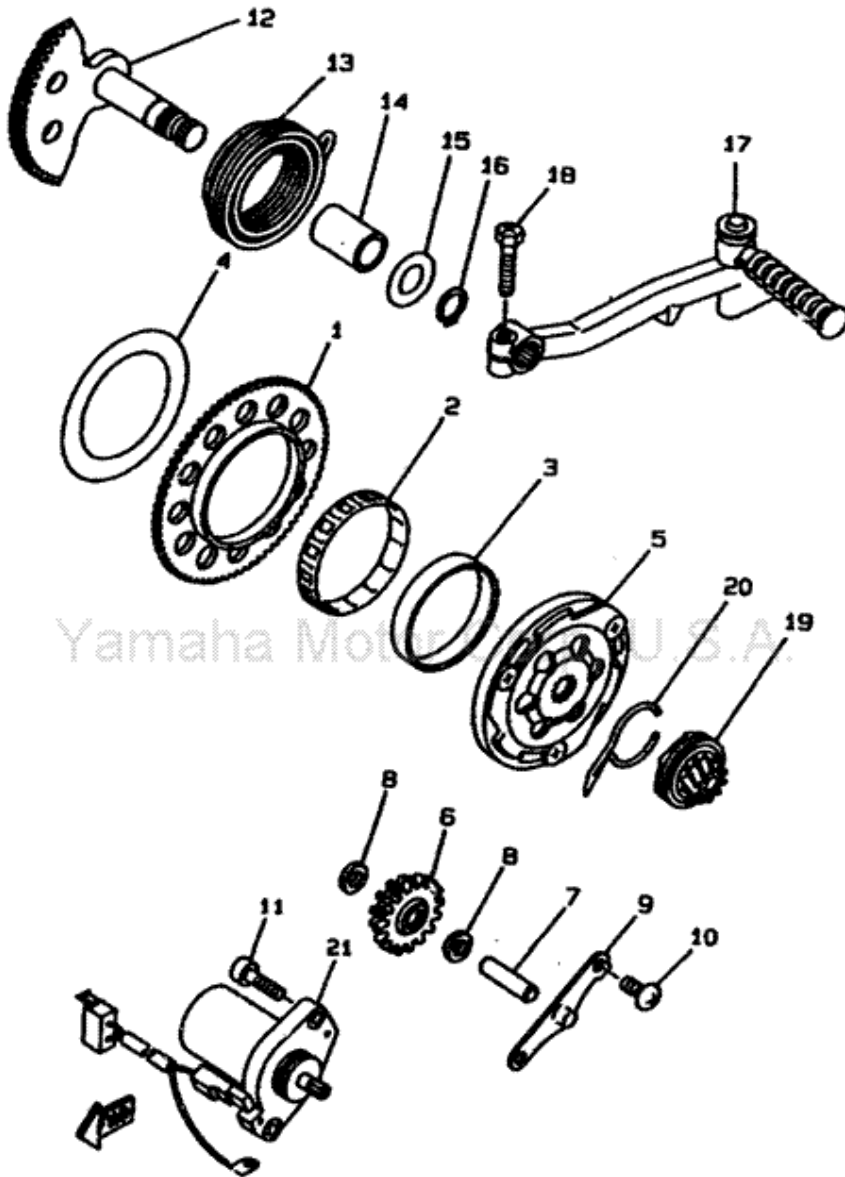


MAA010-8231

(c) 2005-2009 Yamaha Motor Corporation, U.S.A.

Item	Part #	Description	Notes	Req
1	4SB-F7111-00-00	STAND, MAIN		1
2	90387-076V1-00	COLLAR	1	
3	4SB-F7112-00-00	SHAFT, MAIN STAND		1
4	90202-10120-00	WASHER, PLATE	1	
5	90506-29280-00	SPRING	1	
6	3VL-F7481-10-00	BOARD, FOOTREST	BLACK	1
7	90119-06060-00	BOLT, WITH WASHER		2
8	90468-12006-00	CLIP	1	
9	3MX-27430-00-00	REAR FOOTREST ASSY 1		1
10	3MX-27440-00-00	REAR FOOTREST ASSY 2		1
11	92017-08016-00	BOLT, BUTTON HEAD		4

STARTER

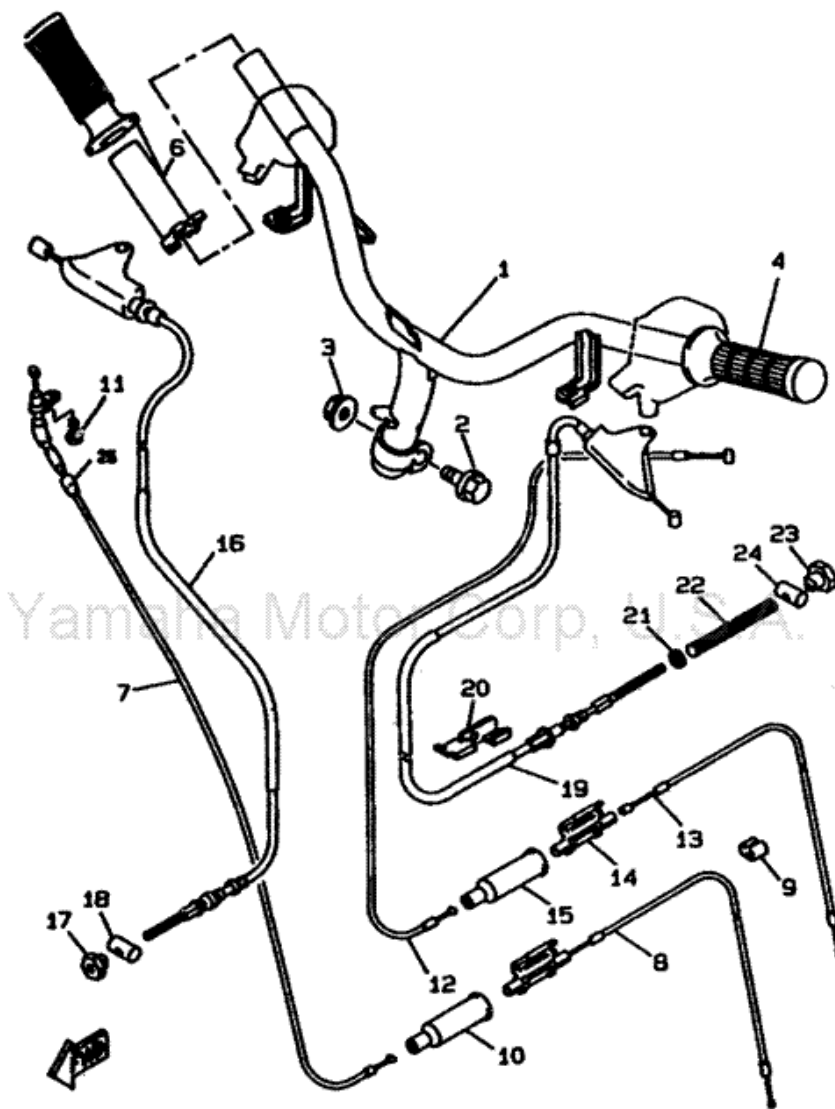


Y3FC010-8090

(c) 2005-2009 Yamaha Motor Corporation, U.S.A.

Item	Part #	Description	Notes	Req
1	3AA-15513-00-00	GEAR 1		1
2	93310-257R1-00	BEARING		1
3	3VL-E5528-00-00	BOSS, GEAR		1
4	90201-574L1-00	WASHER, PLATE		1
5	3VL-15570-00-00	STARTER CLUTCH ASSY		1
6	4SB-E5650-00-00	IDLE GEAR ASSY		1
7	3VL-E5659-00-00	SHAFT	1	
8	90201-08088-00	WASHER, PLATE		2
9	3VL-E5532-00-00	PLATE, IDLE GEAR		1
10	98517-06012-00	SCREW, WITH WASHER		1
11	91317-06020-00	BOLT	4	
12	3ES-15601-00-00	KICK SHAFT ASSEMBLY		1
13	90508-32609-00	SPRING, TORSION		1
14	90380-15083-00	BUSH, SOLID		1
15	90201-155G5-00	WASHER, PLATE		1
16	99009-15400-00	CIRCLIP	1	
17	3VL-E5620-01-00	KICK CRANK ASSY		1
18	3VL-E5793-00-00	SCREW	1	
19	4SB-E5631-00-00	GEAR, KICK PINION		1
20	3VL-E5673-00-00	CLIP	1	
21	4VV-H1800-00-00	STARTING MOTOR ASSY		1

STEERING HANDLE CABLE

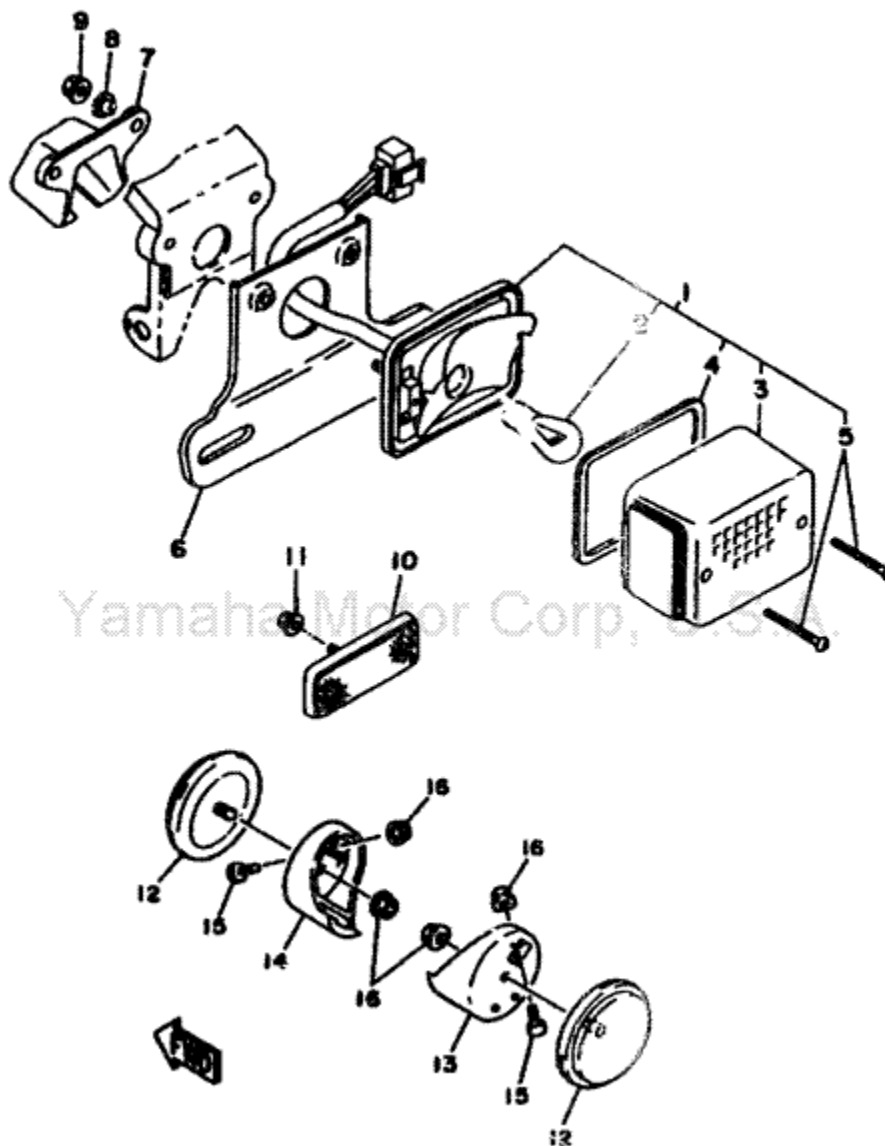


CS110-8220

(c) 2005-2009 Yamaha Motor Corporation, U.S.A.

Item	Part #	Description	Notes	Req
1	4CA-F6110-12-00	HANDLE COMP.		1
2	90105-10036-00	BOLT, FLANGE		1
3	95617-10200-00	NUT, SELF-LOCKING		1
4	3VL-F6241-00-00	GRIP		1
6	3VL-F6240-00-00	GRIP ASSY		1
7	3VL-F6311-01-00	CABLE, THROTTLE 1		1
8	3VL-F6312-01-00	CABLE, THROTTLE 2		1
9	90468-15009-00	CLIP		1
10	3WG-F6329-00-00	CAP, RUBBER		2
11	98507-05010-00	SCREW, PAN HEAD		1
12	3VL-F6331-00-00	CABLE, STARTER 1		1
13	3VL-F6334-02-00	CABLE, STARTER 2		1
14	3VL-F6261-00-00	CONNECTOR, CABLE		1
15	3WG-F6329-00-00	CAP, RUBBER		2
16	3AA-26341-00-00	CABLE, BRAKE		1
17	90179-06411-00	NUT		2
18	90249-12008-00	PIN		2
19	3AA-26351-00-00	CABLE, BRAKE		1
20	4SB-F6475-00-00	HOLDER		1
21	90202-08175-00	WASHER, PLATE		1
22	90501-122E1-00	SPRING, COMPRESSION		1
23	90179-06411-00	NUT		2
24	90249-12008-00	PIN		2
25	3VL-F6262-00-00	CAP, CABLE CONNECTOR		2

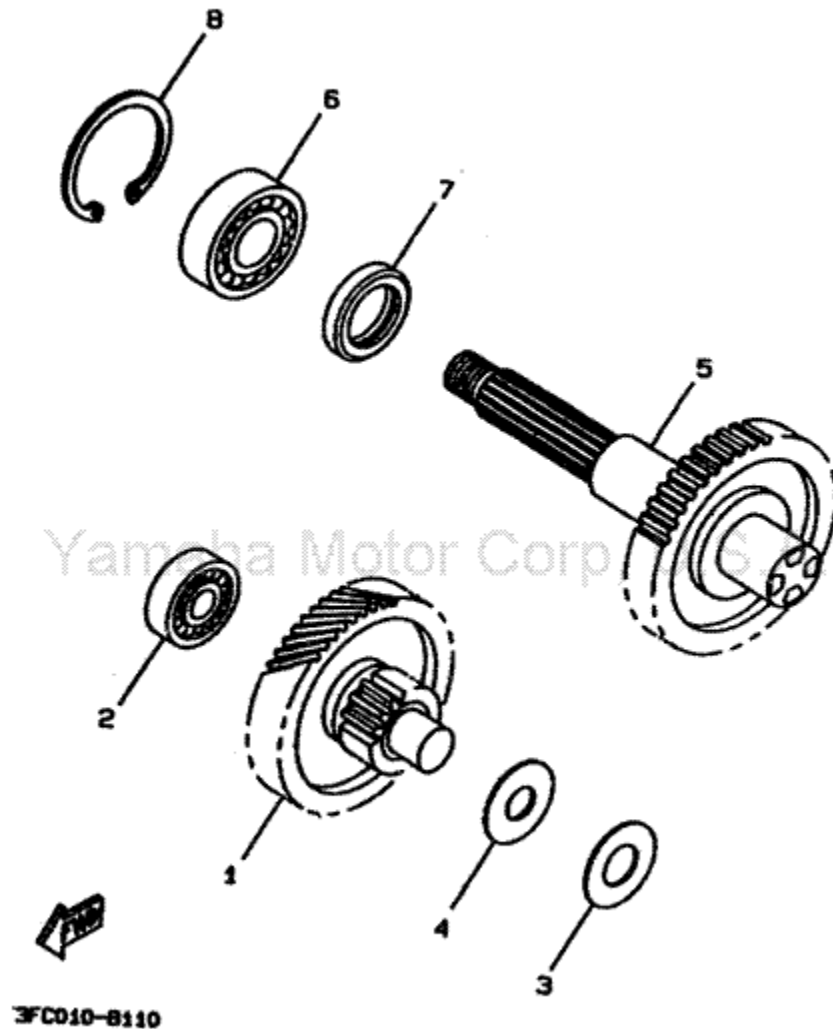
TAILLIGHT



(c) 2005-2009 Yamaha Motor Corporation, U.S.A.

Item	Part #	Description	Notes	Req
1	2EK-84710-00-00	TAILLIGHT UNIT ASSY		1
2	34X-84714-00-00	BULB		1
3	1M1-84521-60-00	LENS, TAILLIGHT		1
4	1M1-84523-60-00	GASKET, LENS		1
5	1M1-84524-60-00	SCREW, LENS FITTING		2
6	3ES-84751-00-00	BRACKET, LICENSE		1
7	3L8-84544-00-00	COVER		1
8	90387-06681-00	COLLAR		2
9	95707-06500-00	NUT, FLANGE		4
10	3Y6-85130-02-00	REAR REFLECTOR ASSY		1
11	95707-05500-00	NUT, FLANGE		5
12	2EK-85111-00-00	REFLECTOR, FRONT 1		2
13	3ES-85127-50-00	BASE, REFLECTOR		1
14	3ES-85137-50-00	BASE, REFLECTOR		1
15	90101-05579-00	BOLT		2
16	95707-05500-00	NUT, FLANGE		5

TRANSMISSION



(c) 2005-2009 Yamaha Motor Corporation, U.S.A.

Item	Part #	Description	Notes	Req
1	4SB-E7410-00-00	MAIN AXLE COMP.		1
2	93306-20006-00	BEARING	1	
3	90201-140G5-00	WASHER, PLATE		1
4	90208-14047-00	WASHER, CONICAL SPRING		1
5	4SB-E7420-00-00	DRIVE AXLE ASSY		1
6	93306-20314-00	BEARING	1	
7	93102-22314-00	SEAL, OIL		1
8	93420-40064-00	CIRCLIP	1	